



# AACER™

SPORTS FLOORING

## Anchored PowerSleeper™ DIN

Anchored PowerSleeper™ DIN is an anchored system that fully engages the resilient pad ensuring uniform performance and increased structural stability. This system combines pre-engineered sleepers with a plywood underlayment for greater dimensional strength and stability. It is suitable for new and retrofit sports floor applications and commercial projects.



see us at  
[Sweets.com](http://Sweets.com)



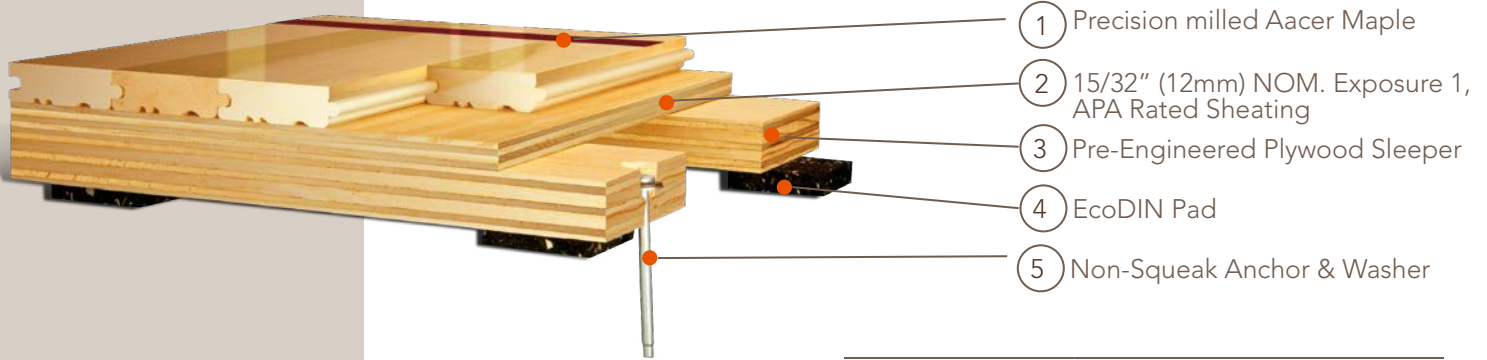
The mark of responsible forestry

# FIXED RESILIENT



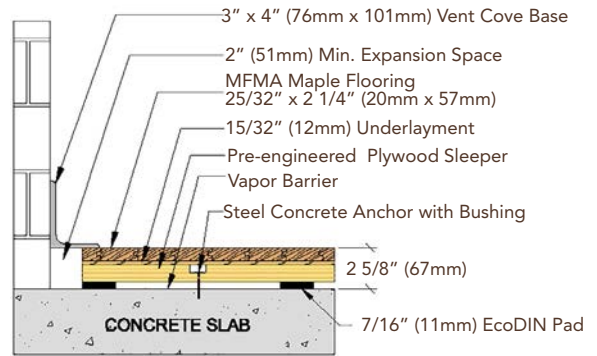
## Anchored PowerSleeper™ DIN

Anchored PowerSleeper™ DIN is the perfect, traditional basketball floor where maximum performance and structural integrity are essential.

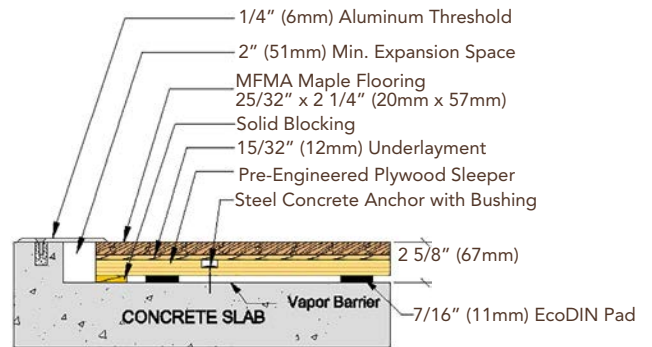


Anchorage	Drill and Pin
Certified	
Green Status LEED Contributors	 FSC® Certified Maple - MRc7 FSC® Certified Subfloor Components - MRc7 EQ - 4.2 Regional Materials - MRc5.1 & 5.2
Resilience	EcoDIN, 1/2" TriPower™, 3/4" TriPower™, AacerFlex
Slab Depression	<b>7/16" (11mm) EcoDIN Pad</b> 25/32" (20mm) flooring - 2 5/8" (67mm) 33/32" (26mm) flooring - 2 7/8" (73mm)  <b>1/2" (12mm) TriPower™ Pad</b> 25/32" (20mm) flooring - 2 5/8" (67mm) 33/32" (26mm) flooring - 2 7/8" (73mm)
Subfloor Construction	Sleeper Plywood
System Type	Fixed Resilient
Testing Laboratory	
U.S. Patent#	Pending
Warranty	Lifetime available

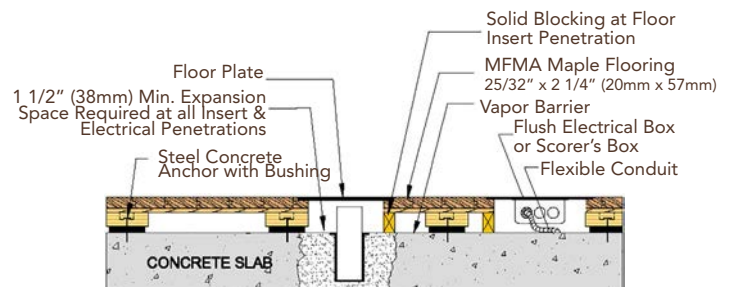
### WALL BASE



### THRESHOLD



### EQUIPMENT



AacerFlooring.com

877.582.1181

It is the policy of Aacer Flooring to continuously improve its line of products. Therefore, Aacer Flooring reserves the right to change, modify or discontinue systems, specifications and accessories of all products at any time without notice or obligation to purchaser.

August, 2016