



AACER™

SPORTS FLOORING

PowerPlay™ II

A performance sports floor system with shock absorption and resilience at the highest value. This unique combination of high performance, economics and short installation time enhances athletic effectiveness in competition gymnasiums, multipurpose rooms and dance floors.



see us at
Sweets.com



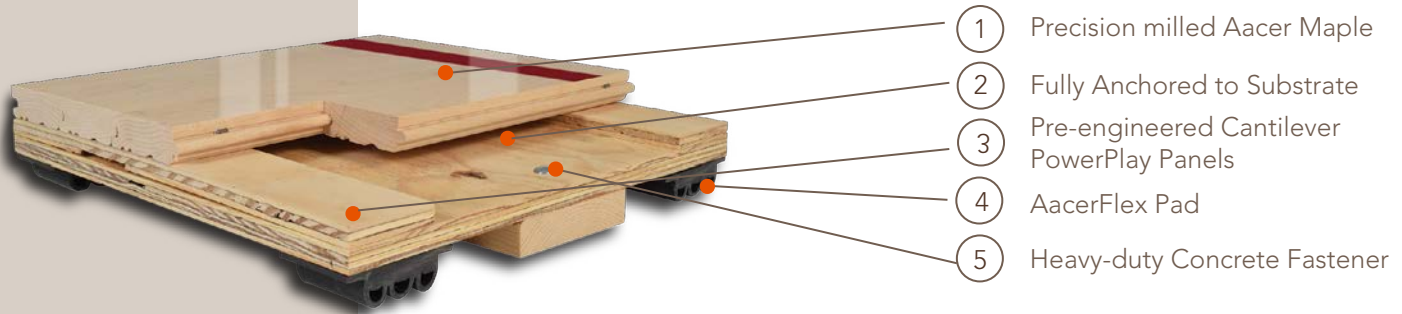
The mark of responsible forestry

FIXED RESILIENT



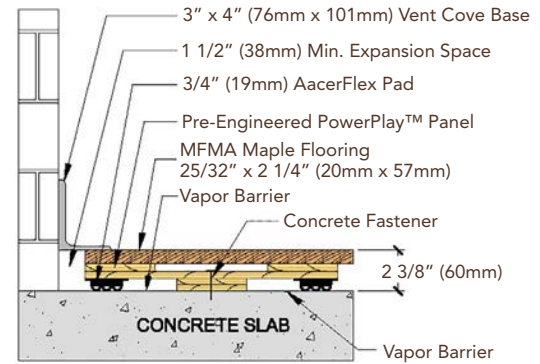
PowerPlay™ II

A balanced performance sports floor system consisting of pre-engineered cushioned panels and Acer MFMA maple flooring.

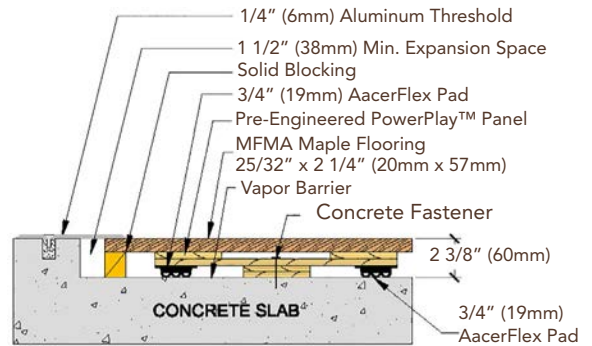


Anchorage	Drill and Pin
Certified	
Green Status LEED Contributors	 FSC® Certified Maple - MRc7 FSC® Certified Subfloor Components - MRc7 EQ - 4.2 Regional Materials - MRc5.1 & 5.2
Optional Versions	PowerPlay LP, VLP, II
Resilience	TriPower™, AcerFlex, AcerCush, EcoDIN <i>*Other pad options available</i>
Slab Depression	3/4" (19mm) TriPower Pad, PowerPlay TP & II 25/32" (20mm) flooring - 2 3/8" (60mm) 33/32" (26mm) flooring - 2 5/8" (67mm)
Subfloor Construction	Pre-manufactured panels
System Type	Fixed Resilient
Testing Laboratory	
U.S. Patent#	*Pending
Warranty	Lifetime available

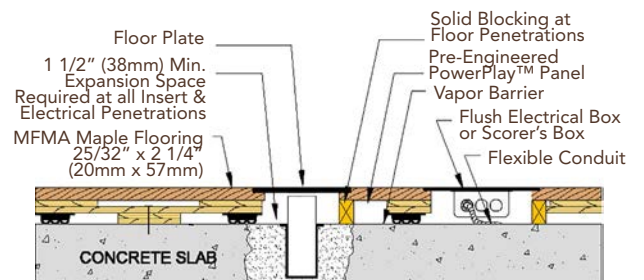
WALL BASE



THRESHOLD



EQUIPMENT



AcerFlooring.com

877.582.1181

It is the policy of Acer Flooring to continuously improve its line of products. Therefore, Acer Flooring reserves the right to change, modify or discontinue systems, specifications and accessories of all products at any time without notice or obligation to purchaser.

August 2016