



AACER[™]
SPORTS FLOORING

Anchored PowerLoc

Anchored PowerLoc is a hybrid of our ever popular ScissorLoc and Anchored PowerSleeper systems. The combination of these systems delivers a dimensionally stable floor with excellent ventilation capabilities and uniform performance. The option of the PowerVent[™] Airflow system adds a feature which will detect moisture and start drying the system with mechanical airflow. The floor's uniform performance makes it a good selection for new and retrofit sports floor applications. The system is EN-DIN and PUR compliant.



see us at
Sweets.com



The mark of responsible forestry

FIXED RESILIENT



Anchored PowerLoc

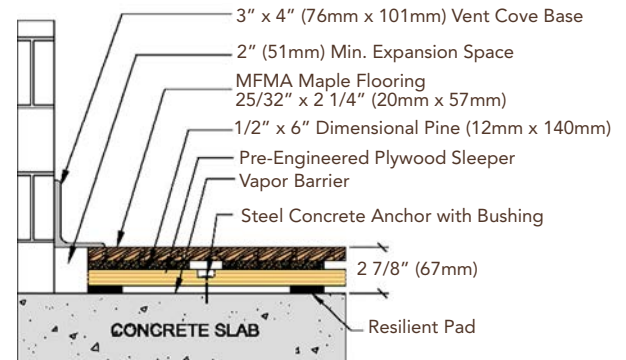
Anchored PowerLoc is a hybrid of our ever popular ScissorLoc and Anchored PowerSleeper systems. The floor is a good selection for new and retrofit sports floor applications.



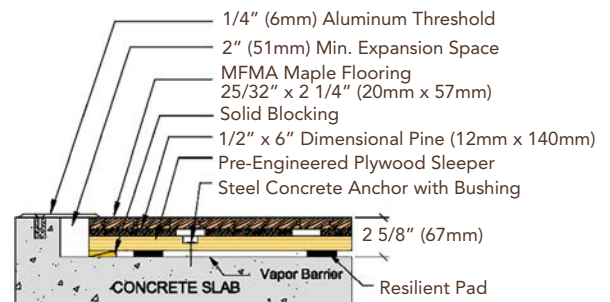
- 1 Precision milled Acer Maple
- 2 1/2" x 6" Dimensional Pine (12mm x 140mm)
- 3 Pre-Engineered Plywood Sleeper
- 4 Steel Concrete Anchor with Bushing
- 5 Resilient Pad

Anchorage	Drill and Pin
Certified	
Green Status LEED Contributors	<p>FSC® Certified Maple - MRc7 FSC® Certified Subfloor Components - MRc7 EQ - 4.2 Regional Materials - MRc5.1 & 5.2</p>
Optional Versions	Contact your Regional Sales Manager for other available options
Resilience	TriPower, AcerFlex, AcerCush, EcoDIN, Performance Foam
Slab Depression 1/2" x 6"	<p>7/16" (11mm) EcoDIN or 1/2" (12mm) TriPower™ Pad 25/32" (20mm) flooring - 2 5/8" (67mm) 33/32" (26mm) flooring - 2 7/8" (73mm)</p>
Protection System	PowerVent™
Subfloor Construction	Pre-manufactured panels
System Type	Fixed Resilient
Testing Laboratory	
Warranty	Lifetime available

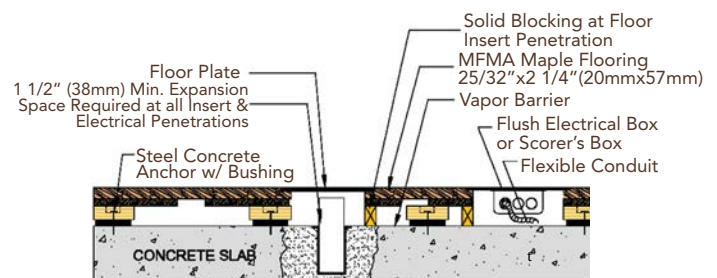
WALL BASE



THRESHOLD



EQUIPMENT



It is the policy of Acer Flooring to continuously improve its line of products. Therefore, Acer Flooring reserves the right to change, modify or discontinue systems, specifications and accessories of all products at any time without notice or obligation to purchaser.

August 2016