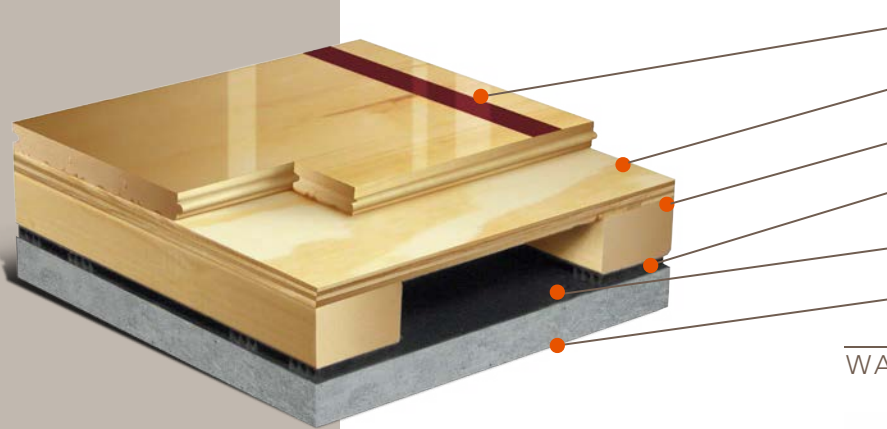


FLOATING



AacerCush I+

AacerCush I+ is a shock absorbent variable profile system. This system combines sleepers with a plywood layer for greater dimensional strength. This system is ideal for new and retrofit commercial and athletic applications.



- 1 Precision milled Acer Maple
- 2 Layer of 15/32" (12mm) NOM. Exposure 1 APA rated sheathing
- 3 2" x 3" (38mm x 64mm) AacerCush Sleeper
- 4 3/8" (10mm) AacerCush Pad
- 5 6mil polyethylene Vapor Barrier
- 6 Concrete

Certified



Green Status
LEED Contributors



FSC® Certified Maple - MRc7
FSC® Certified Subfloor Components - MRc7
EQ - 4.2
Regional Materials - MRc5.1 & 5.2

Resilience

3/8" (10mm) & 5/8" (16mm) AacerCush Pad
**other pad options available*

Slab Depression

3/8" (10mm) AacerCush Pad
25/32" (20mm) flooring - 3 1/8" (80mm)
33/32" (26mm) flooring - 3 3/8" (86mm)

5/8" (16mm) AacerCush Pad
25/32" (20mm) flooring - 3 3/8" (86mm)
33/32" (26mm) flooring - 3 5/8" (92mm)

Subfloor Construction

Sleeper Plywood

System Type

Floating

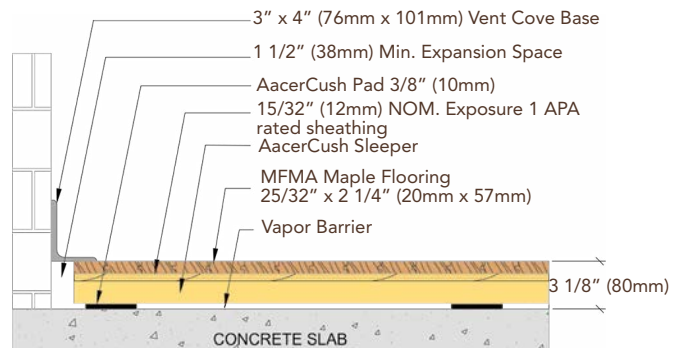
Testing Laboratory



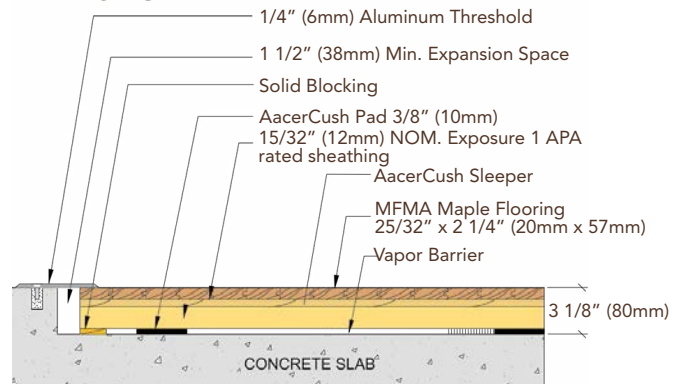
Warranty

Lifetime available

WALL BASE



THRESHOLD



EQUIPMENT

