



AACER™

SPORTS FLOORING

PowerPlay™

A performance sports floor system with shock absorption and resilience at the highest value. This unique combination of high performance, economics and short installation time enhances athletic effectiveness in competition gymnasiums, multipurpose rooms and dance floors. Specify PowerPlay™ in a EN certified version where maximum performance is essential.



see us at
Sweets.com



The mark of responsible forestry

FIXED RESILIENT



PowerPlay™

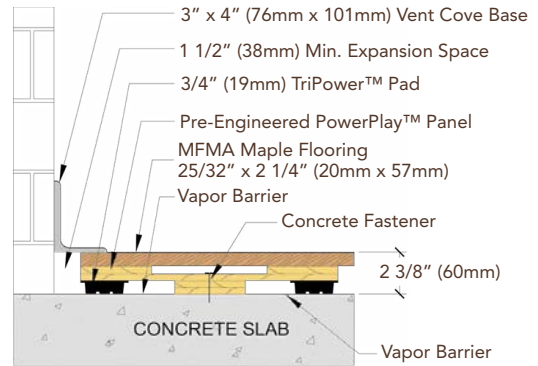
An anchored performance sports floor system consisting of vapor barrier, pre-engineered cushioned panels and Acer MFMA maple flooring.



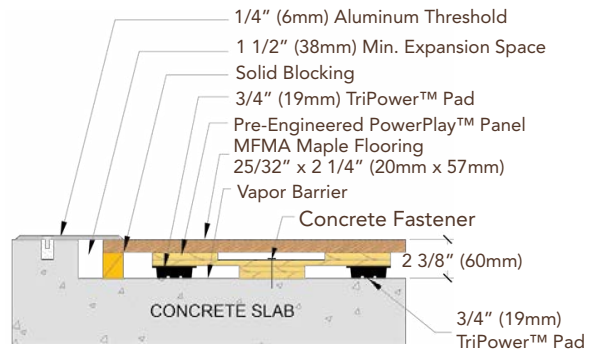
- ① Precision milled Acer Maple
- ② Fully Anchored to Substrate
- ③ Cantilevered Plywood Panels
- ④ TriPower™ Pad
- ⑤ Heavy-duty Concrete Fastener

Anchorage	Drill and Pin
Certified	
Green Status LEED Contributors	 FSC® Certified Maple - MRc7 FSC® Certified Subfloor Components - MRc7 EQ - 4.2 Regional Materials - MRc5.1 & 5.2
Optional Versions	PowerPlay LP, VLP, II
Resilience	TriPower™, AcerFlex, AcerCush, EcoDIN <i>*Other pad options available</i>
Slab Depression	3/8" (10mm) AcerCush Pad PowerPlay VLP 25/32" (20mm) flooring - 1 7/8" (48mm) 33/32" (26mm) flooring - 2 1/8" (54mm) 7/16" (11mm) EcoDIN PowerPlay LP, 1/2" (12mm) TriPower™ Pad 25/32" (20mm) flooring - 2 1/8" (54mm) 33/32" (26mm) flooring - 2 3/8" (60mm) 3/4" (19mm) TriPowerPad, PowerPlay TP & II 25/32" (20mm) flooring - 2 3/8" (60mm) 33/32" (26mm) flooring - 2 5/8" (67mm)
Subfloor Construction	Pre-manufactured panels
System Type	Fixed Resilient
Testing Laboratory	
U.S. Patent#	*Pending
Warranty	Lifetime available

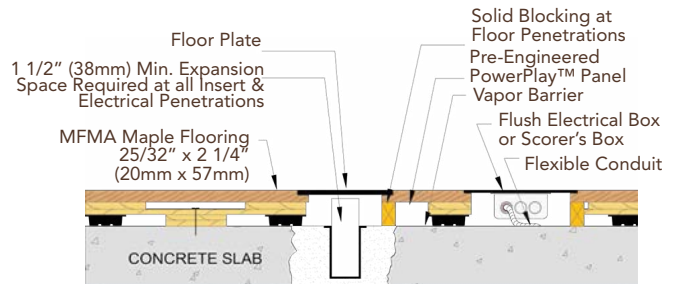
WALL BASE



THRESHOLD



EQUIPMENT



AcerFlooring.com

877.582.1181

It is the policy of Acer Flooring to continuously improve its line of products. Therefore, Acer Flooring reserves the right to change, modify or discontinue systems, specifications and accessories of all products at any time without notice or obligation to purchaser.

May 2016