



AACER

SPORTS FLOORING

Anchored PowerSleeper™ DIN

Anchored PowerSleeper™ DIN is an anchored system that fully engages the resilient pad ensuring uniform performance and increased structural stability. This system combines pre-engineered sleepers with a plywood underlayment for greater dimensional strength and stability. It is suitable for new and retrofit sports floor applications and commercial projects.



see us at
Sweets.com



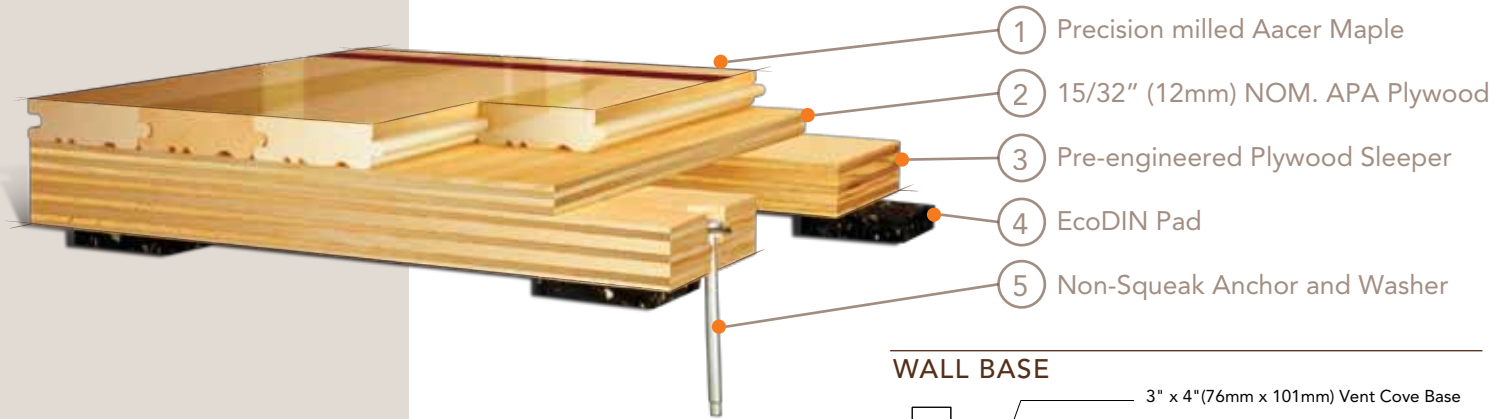
The mark of responsible forestry

FIXED RESILIENT



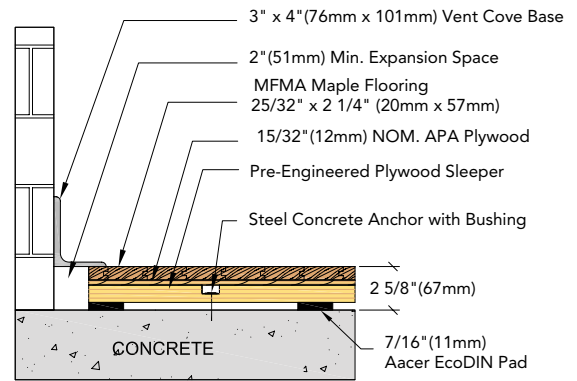
Anchored PowerSleeper™ DIN

Anchored PowerSleeperDIN™ is the perfect traditional basketball floor where maximum performance and structural integrity are essential.

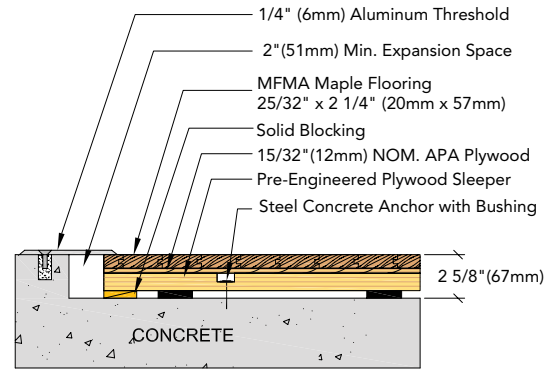


Anchorage	Drill and Pin
Certified	
Green Status LEED Contributors	<p>FSC® Certified Maple - MRc7 FSC® Certified SubFloor Components - MRc7 EQ – 4.2 Regional Materials - MRc5.1 & 5.2</p>
Resilience	EcoDIN, 1/2" TriPower™, 3/4" TriPower™, AacerFlex, AacerCush
Slab Depression	<p>7/16" (11mm) EcoDIN Pads 25/32" (20mm) flooring – 2 5/8" (67mm) 33/32" (26mm) flooring – 2 7/8" (73mm)</p> <p>1/2" (12mm) EcoDIN Pads 25/32" (20mm) flooring – 2 5/8" (67mm) 33/32" (26mm) flooring – 2 7/8" (73mm)</p>
Subfloor Construction	Sleeper Plywood
System Type	Fixed Resilient / Floating
Testing Laboratory	
Warranty	Lifetime available

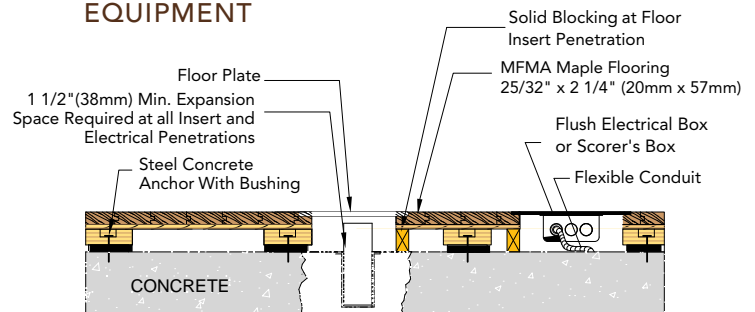
WALL BASE



THRESHOLD



EQUIPMENT



AacerFlooring.com

(877) 582-1181

It is the policy of Aacer Flooring to continuously improve its line of products. Therefore, Aacer Flooring reserves the right to change, modify or discontinue systems, specifications and accessories of all products at any time without notice or obligation to purchaser.

August 2014