



AACER

SPORTS FLOORING



Anchored PowerSleeper™ SE

Aacer's Anchored PowerSleeper™ SE is a system that fully engages the resilient pad inside a steel channel ensuring uniform performance and increased structural stability. It is suitable for new and retrofit sports floor applications and commercial projects.



see us at
Sweets.com



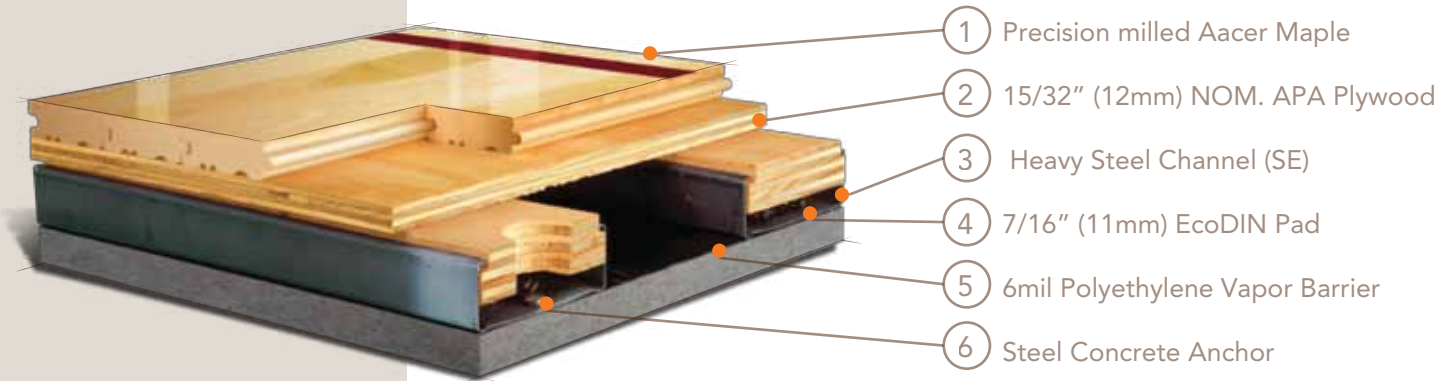
The mark of responsible forestry

FIXED RESILIENT

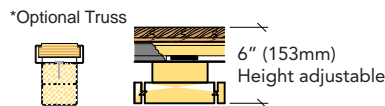


Anchored PowerSleeper™ SE

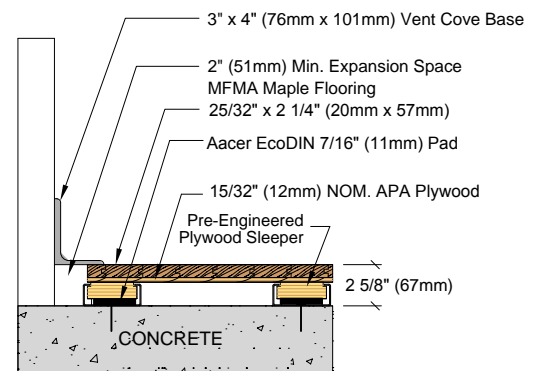
Anchored PowerSleeper™ SE is a uniform and stable floor system. It is perfect for new and retro fit projects. This floor system can be shimmed for uneven substrates.



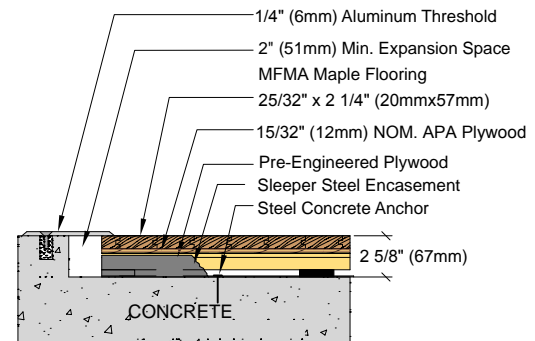
Anchorage	Drill and Pin
Certified	
Green Status LEED Contributors	<p>FSC® Certified Maple - MRc7 FSC® Certified SubFloor Components - MRc7 EQ - 4.2 Regional Materials MRc5.1&5.2</p>
Resiliance	EcoDIN, TriPower™ Pad
Slab Depression	<p>7/16" (11mm) EcoDIN Pads 25/32" (20mm) flooring – 2 5/8" (67mm) 33/32" (26mm) flooring – 2 7/8" (73mm)</p> <p>1/2" (12mm) TriPower™ Pads 25/32" (20mm) flooring – 2 5/8" (67mm) 33/32" (26mm) flooring – 2 7/8" (73mm)</p>
Subfloor Construction	Sleeper Plywood
System Type	Fixed Resilient / Floating
Testing Laboratory	
Warranty	Lifetime available
*Option	Retrofit with optional Truss easily adjusted to required slab depressions



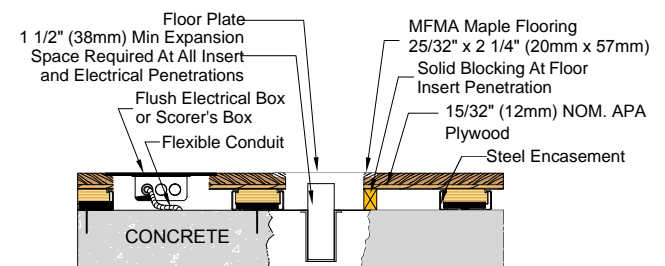
WALL BASE



THRESHOLD



EQUIPMENT



AacerFlooring.com (877) 582-1181

It is the policy of Aacer Flooring to continuously improve its line of products. Therefore, Aacer Flooring reserves the right to change, modify or discontinue systems, specifications and accessories of all products at any time without notice or obligation to purchaser.

August 2014