



# AACER

SPORTS FLOORING

## PowerPlay™

A performance sports floor system with shock absorption and resilience at the highest value. This unique combination of high performance, economics and short installation time enhances athletic effectiveness in competition gymnasiums, multipurpose rooms and dance floors.



see us at  
[Sweets.com](http://Sweets.com)



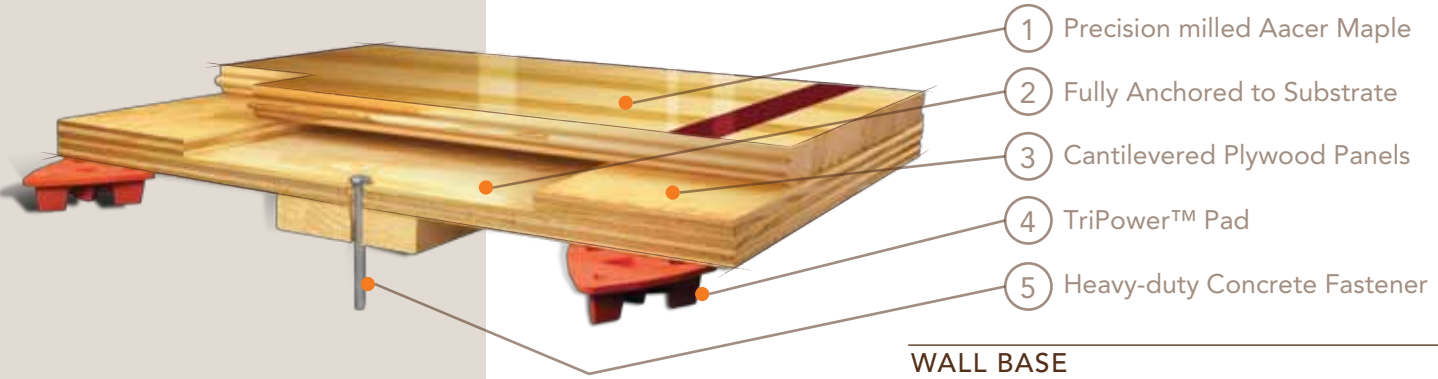
The mark of responsible forestry

# FIXED RESILIENT



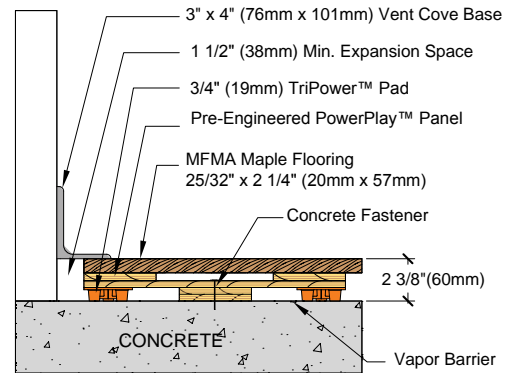
## PowerPlay™

An anchored performance sports floor system consisting of vapor barrier, pre-engineered cushioned panels, and Acer maple flooring.

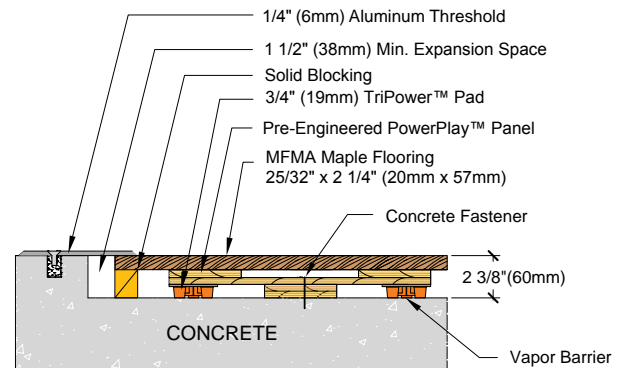


Anchorage	Drill and Pin / Shoot
Certified	
Green Status LEED Contributors	<p>FSC® Certified Maple - MRc7 FSC® Certified SubFloor Components - MRc7 EQ - 4.2 Regional Materials - MRc5.1 &amp; 5.2</p>
Optional Versions	PowerPlay LP, VLP, II, *W, DIN
Resilience	TriPower™, AcerFlex, AcerCush, EcoDIN
Slab Depression	<p><b>3/8" (10mm) AcerCush Pad Powerplay VLP</b> 25/32" (20mm) flooring - 1 7/8" (48mm) 33/32" (26mm) flooring - 2 1/8" (54mm)</p> <p><b>7/16" (11mm) EcoDIN PowerPlay LP</b> 25/32" (20mm) flooring - 2 1/8" (54mm) 33/32" (26mm) flooring - 2 3/8" (60mm)</p> <p><b>3/4" (19mm) TriPower™ Pad Power Play DIN</b> 25/32" (20mm) flooring - 2 3/8" (60mm) 33/32" (26mm) flooring - 2 5/8" (67mm)</p>
Subfloor Construction	Pre-manufactured panels
System Type	Fixed Resilient
Testing Laboratory	
U.S. Patent#	*Pending
Warranty	Lifetime available

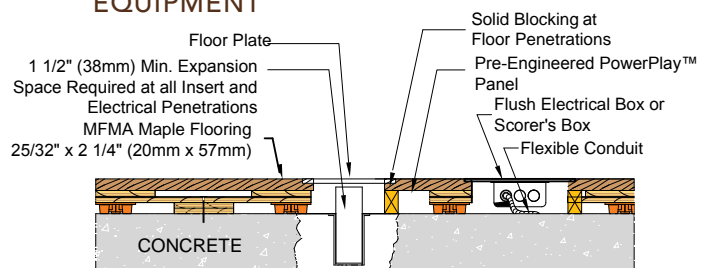
### WALL BASE



### THRESHOLD



### EQUIPMENT



**AacerFlooring.com (877) 582-1181**

It is the policy of Aacer Flooring to continuously improve its line of products. Therefore, Aacer Flooring reserves the right to change, modify or discontinue systems, specifications and accessories of all products at any time without notice or obligation to purchaser.

August 2014