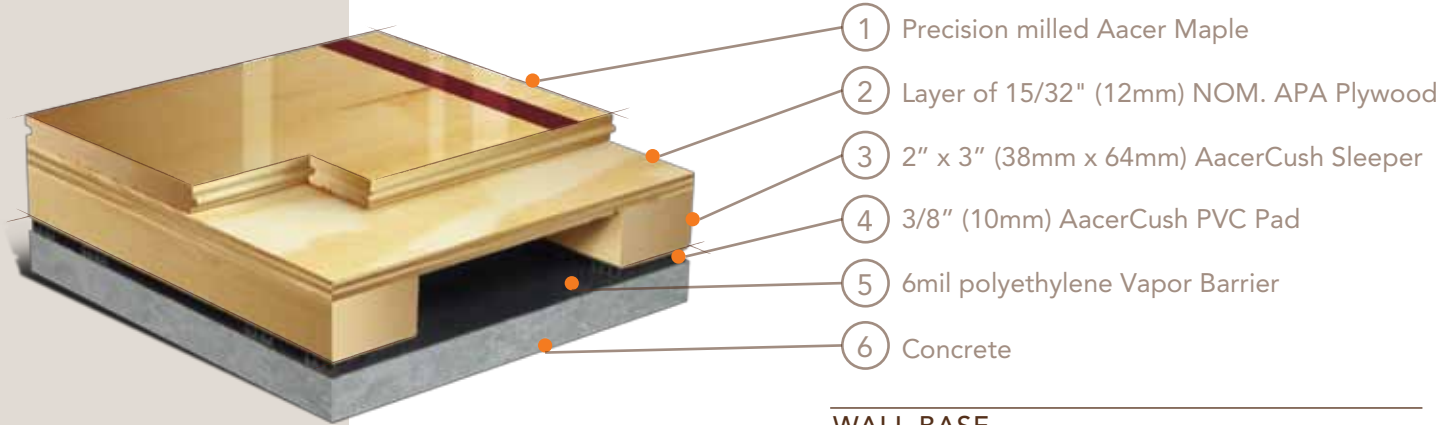


FLOATING



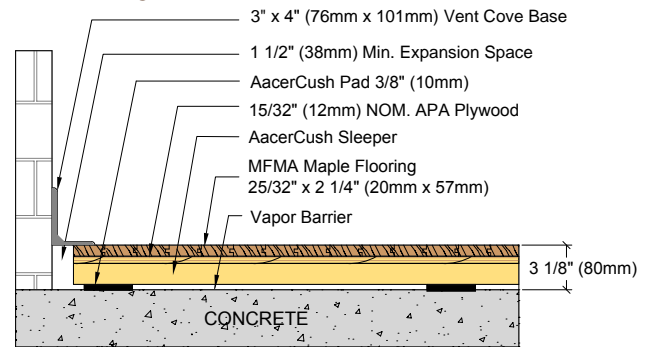
AacerCush I+

AacerCush I+ is a shock absorbent variable profile system. This system combines sleepers with a plywood layer for greater dimensional strength. This system is ideal for new and retrofit commercial and athletic applications.

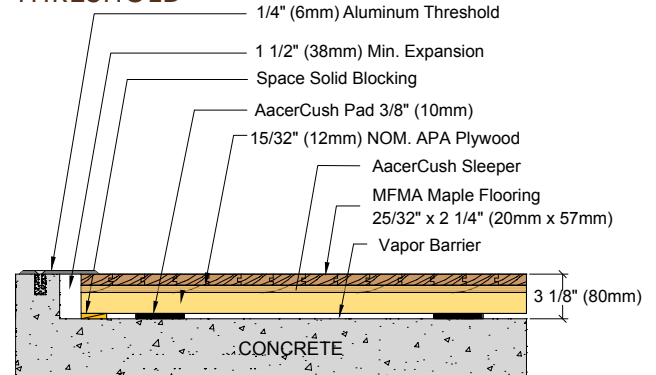


Certified	
Green Status LEED Contributors	<p>FSC® Certified Maple - MRc7 FSC® Certified SubFloor Components - MRc7 EQ Regional Materials MRC5.1 & 5.2</p>
Resilience	3/8" (10mm) & 5/8" (16mm) AacerCush PVC Pad <i>*other pad options available</i>
Slab Depression	3/8" (10mm) AacerCush PVC Pad 25/32" (20mm) flooring – 3 1/8" (80mm) 33/32" (26mm) flooring – 3 3/8" (86mm)
Subfloor Construction	Sleeper Plywood
System Type	Floating System
Testing Laboratory	
Warranty	Lifetime available

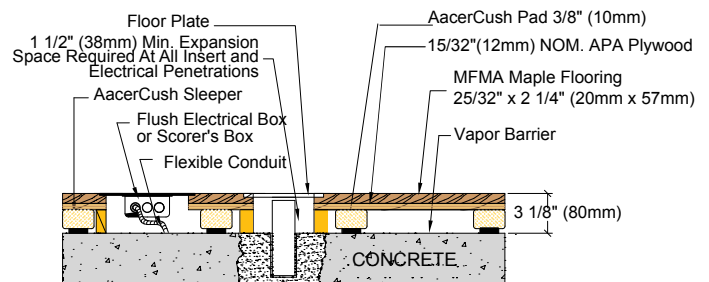
WALL BASE



THRESHOLD



EQUIPMENT



AacerFlooring.com (877) 582-1181

It is the policy of Aacer Flooring to continuously improve its line of products. Therefore, Aacer Flooring reserves the right to change, modify or discontinue systems, specifications and accessories of all products at any time without notice or obligation to purchaser.