



AACERTM
SPORTS FLOORING

Anchored PowerLoc

Anchored PowerLoc is a hybrid of our ever popular ScissorLoc and Anchored PowerSleeper systems. The combination of these systems delivers a dimensionally stable floor with excellent ventilation capabilities and uniform performance. The option of the PowerVentTM Airflow system adds a feature which will detect moisture and start drying the system with mechanical airflow. The floor's uniform performance makes it a good selection for new and retrofit sports floor applications. The system is EN-DIN and PUR compliant.



see us at
Sweets.com



The mark of responsible forestry

FIXED RESILIENT



Anchored PowerLoc

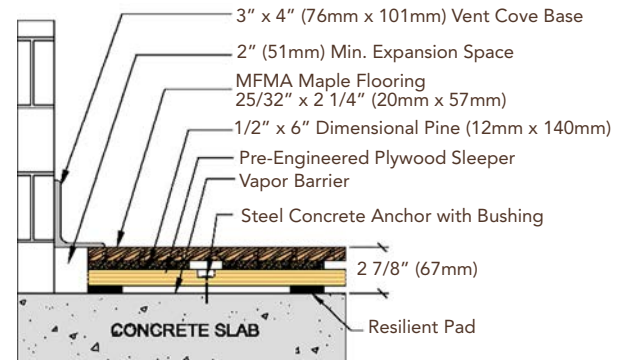
Anchored PowerLoc is a hybrid of our ever popular ScissorLoc and Anchored PowerSleeper systems. The floor is a good selection for new and retrofit sports floor applications.



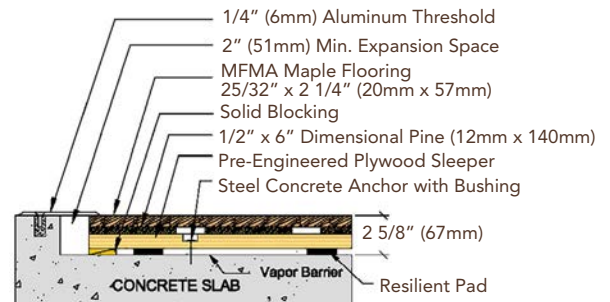
- 1 Precision milled Acer Maple
- 2 1/2" x 6" Dimensional Pine (12mm x 140mm)
- 3 Pre-Engineered Plywood Sleeper
- 4 Steel Concrete Anchor with Bushing
- 5 Resilient Pad

Anchorage	Drill and Pin
Certified	
Green Status LEED Contributors	<p>FSC® Certified Maple - MRc7 FSC® Certified Subfloor Components - MRc7 EQ - 4.2 Regional Materials - MRc5.1 & 5.2</p>
Optional Versions	Contact your Regional Sales Manager for other available options
Resilience	TriPower, AcerFlex, AcerCush, EcoDIN, Performance Foam
Slab Depression 1/2" x 6"	<p>7/16" (11mm) EcoDIN or 1/2" (12mm) TriPower™ Pad 25/32" (20mm) flooring - 2 5/8" (67mm) 33/32" (26mm) flooring - 2 7/8" (73mm)</p>
Protection System	PowerVent™
Subfloor Construction	Pre-manufactured panels
System Type	Fixed Resilient
Testing Laboratory	
Warranty	Lifetime available

WALL BASE



THRESHOLD



EQUIPMENT

