

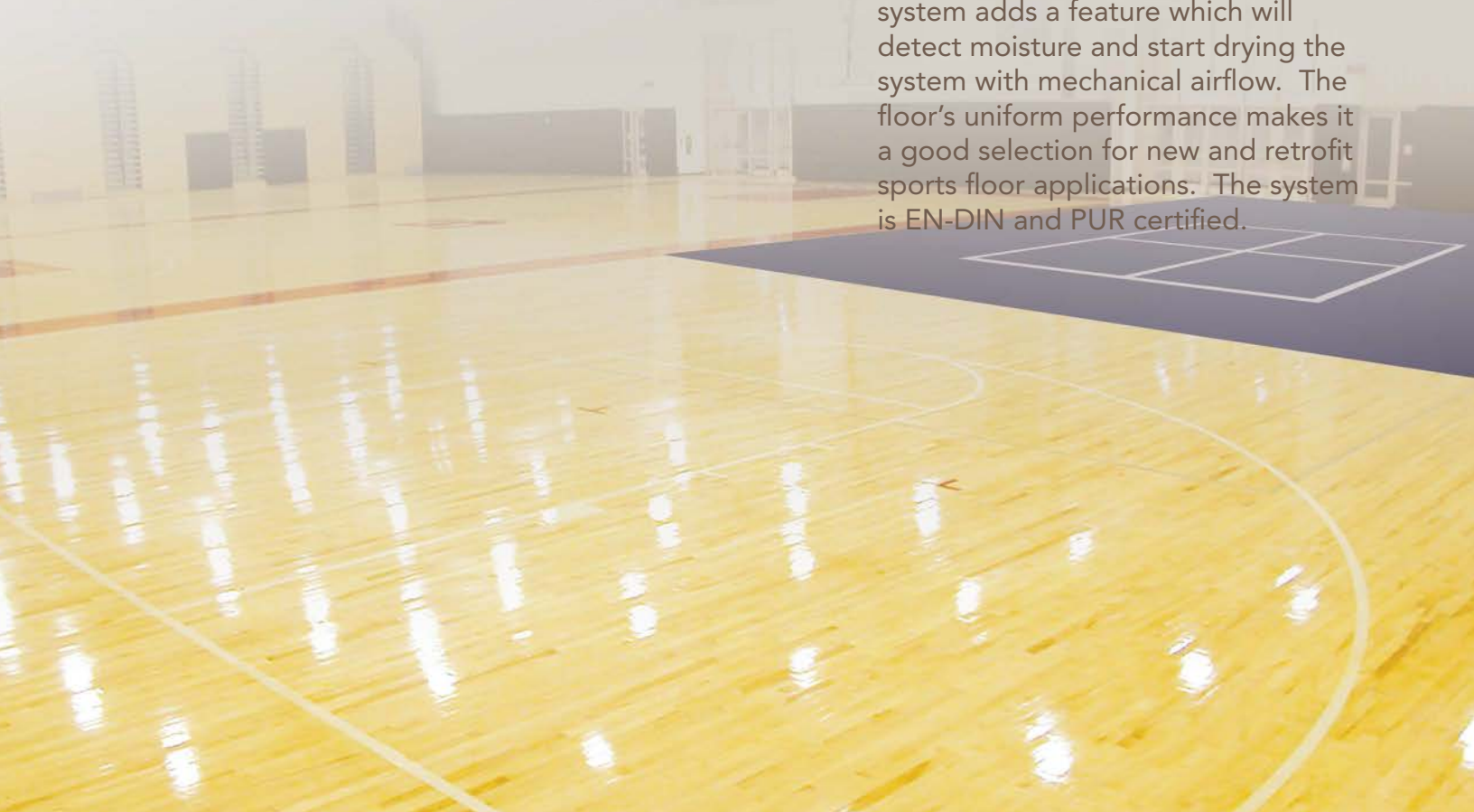


# AACER™

SPORTS FLOORING

## Anchored PowerLoc

Anchored PowerLoc is a hybrid of our ever popular ScissorLoc and Anchored PowerSleeper systems. The combination of these systems delivers a dimensionally stable floor with excellent ventilation capabilities, along with uniform performance. The option of the PowerVent™ Airflow system adds a feature which will detect moisture and start drying the system with mechanical airflow. The floor's uniform performance makes it a good selection for new and retrofit sports floor applications. The system is EN-DIN and PUR certified.



see us at  
[Sweets.com](http://Sweets.com)



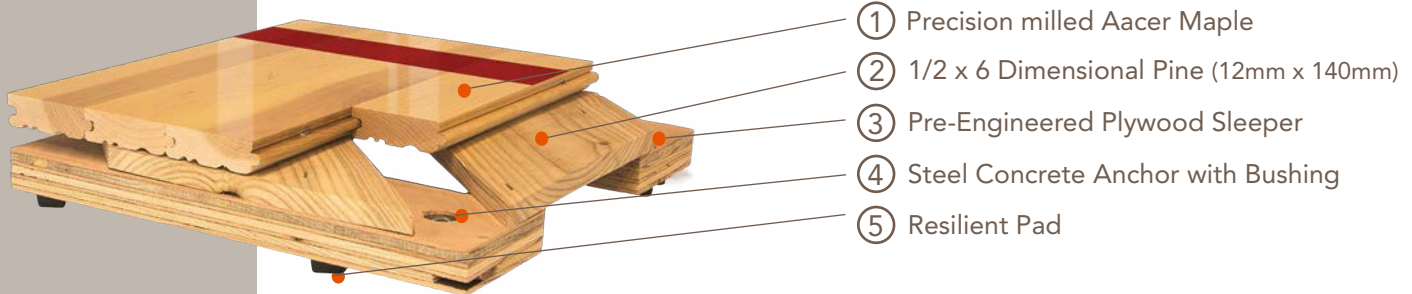
The mark of responsible forestry

# ANCHORED RESILIENT



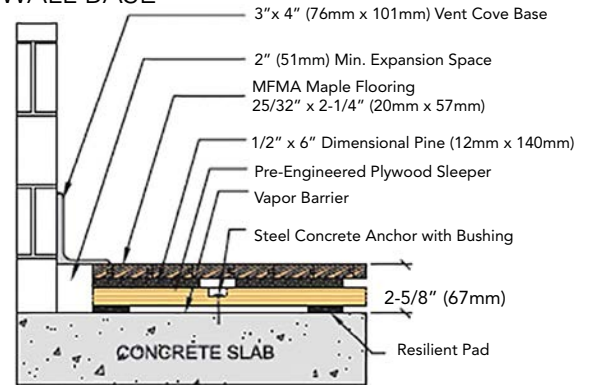
## Anchored PowerLoc

Anchored PowerLoc is a hybrid of our ever popular ScissorLoc and Anchored PowerSleeper systems. The floor is a good selection for new and retrofit sports floor applications.

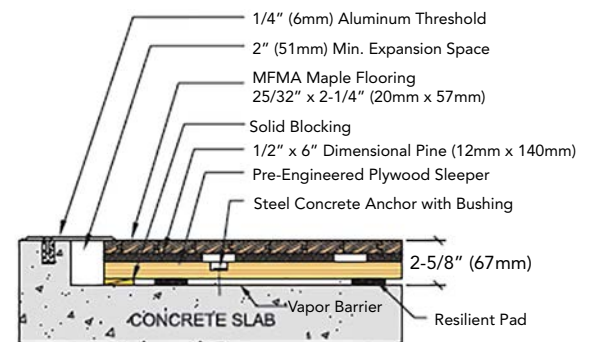


Anchorage	Drill and Pin
Certified	
Green Status LEED Contributors	 FSC Certified Maple - MRc7 FSC Certified Subfloor Components - MRc7 EQ - 4.2 Regional Materials - MRc5.1 & 5.2
Optional Versions	Floating
Resilience	TriPower, AcerFlex, AcerCush, EcoDIN, Performance Foam
Slab Depression 1/2" x 6"	<b>7/16" (11mm) EcoDIN or 1/2" (12mm) TriPower Pad</b> 25/32" (20mm) flooring - 2 5/8" (67mm) 33/32" (26mm) flooring - 3 1/8" (73mm)
Slab Depression 1" x 6"	<b>7/16" (11mm) EcoDIN or 1/2" (12mm) TriPower Pad</b> 25/32" (20mm) flooring - 2 7/8" (67mm) 33/32" (26mm) flooring - 3 1/8" (73mm)
Protection System	PowerVent™
Subfloor Construction	Pre-manufactured Panels
System Type	Fixed Resilient / Floating
Testing Laboratory	
Warranty	Lifetime available

### WALL BASE



### THRESHOLD



### EQUIPMENT

