

AacerCush I+ Anchored

FIXED RESILIENT SYSTEMS

AacerCush I+ Anchored is a shock absorbent variable profile system combining sleepers and plywood subfloor for greater dimensional stability. This system is chosen for new and retrofit commercial and athletic applications.

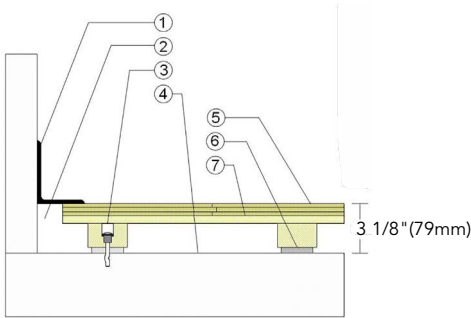


AacerCush I+ Anchored



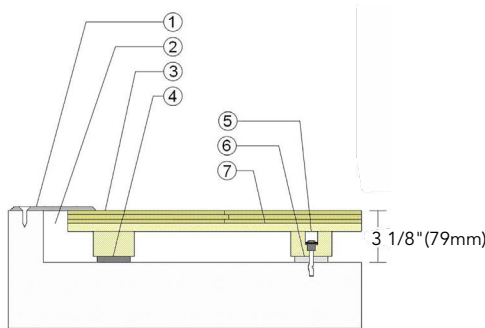
- 1. Precision-milled Acer Maple
- 2. Layer of 15/32" (12mm) or 23/32" (20mm) Exposure 1, APA Rated Sheathing
- 3. 2 x 3 (38mm x 64mm) AcerCush Sleeper
- 4. 3/8" (10mm) AacerCush Pad

WALL BASE



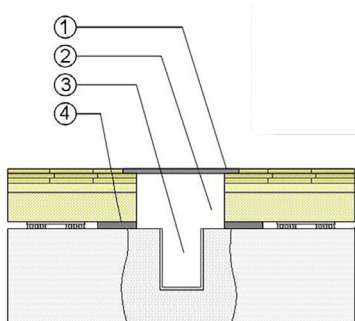
- 1. 3" x 4" (76mm x 101mm) Vent Cove Base
- 2. 1-1/2" (38mm) Min. Expansion Space
- 3. 1-1/2" x 2-1/2" (38mm x 64mm) Sleeper with Collared Steel Anchor
- 4. Vapor Retarder
- 5. 25/32" (20mm) MFMA Maple Flooring
- 6. 3/8" (10mm) AacerCush Pad
- 7. 15/32" (12mm) Plywood Subfloor

THRESHOLD



- 1. 1/4" (6mm) Aluminum Threshold
- 2. 1-1/2" (38mm) Min. Expansion Space
- 3. 25/32" (20mm) MFMA Maple Flooring
- 4. Solid Blocking at Doorway
- 5. 1-1/2" x 2-1/2" (38mm x 64mm) Sleeper with Collared Steel Anchor
- 6. 3/8" (10mm) AacerCush Pad
- 7. 15/32" (12mm) Plywood Subfloor

EQUIPMENT



- 1. Floor Plate
- 2. 1-1/2" (38mm) Min. Expansion Space at all Inserts & Electrical Penetrations
- 3. Concrete Floor Penetration
- 4. Solid Blocking at Insert

Certified



Green Status and LEED Contributors



- FSC® Certified Maple - MR
- FSC® Certified Subfloor Components - MR
- Environmental Quality - EQ
- Regional Materials - MR

Resilience

3/8" (10mm) AacerCush Pad
*Other pad options available.

Slab Depression

- 25/32" (20mm) flooring - 3 1/8" (80mm)
- 33/32" (26mm) flooring - 3 3/8" (86mm)

Optional AacerCush Systems

Anchored AacerCush I
AacerCush I
AacerCush I+
AacerCush II

Subfloor Construction

Sleeper Plywood

System Type

Fixed Resilient

Testing Laboratory Partners



It is the policy of Aacer Flooring to continuously improve its line of products. Therefore, Aacer Flooring reserves the right to change, modify or discontinue systems, specifications and accessories of all products at any time without notice or obligation to purchaser.



see us at Sweets.com

