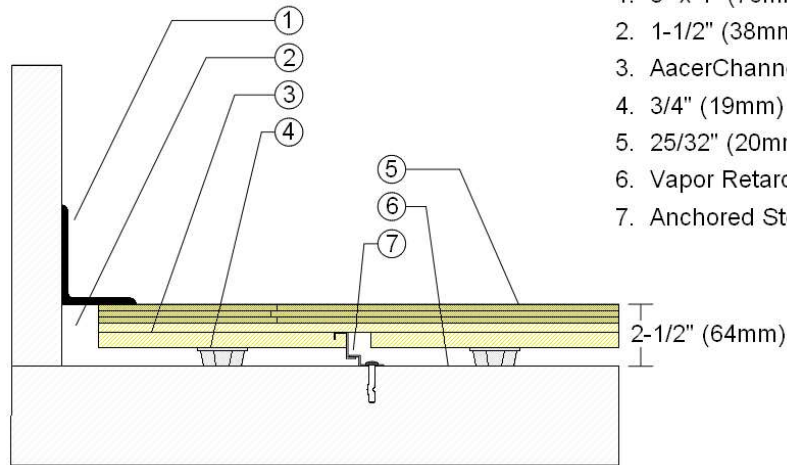


Description: AACERCHANNEL

Drawn By: RR Date: 9/8/20

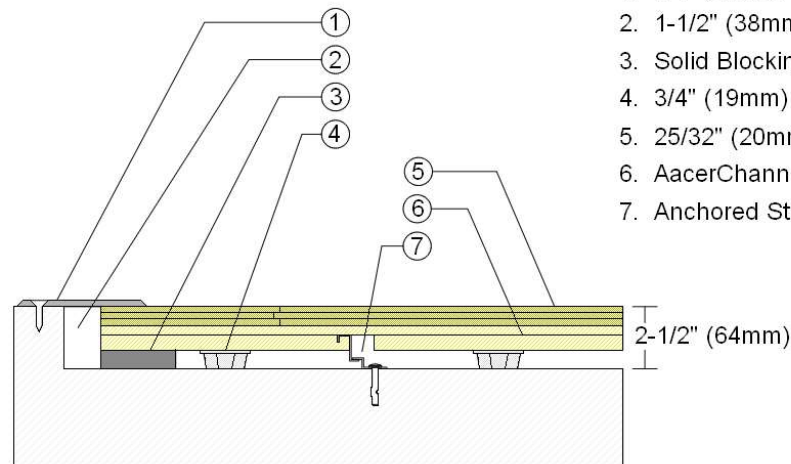
Revisions			
ID	Description	By	Date

WALLBASE



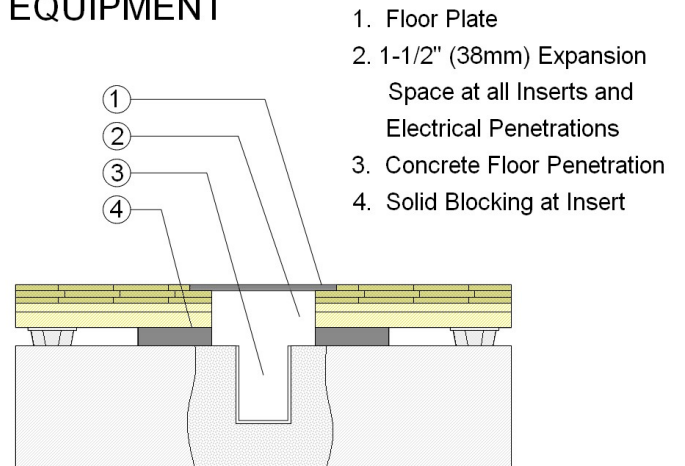
1. 3" x 4" (76mm x 101mm) Vent Cove Base
2. 1-1/2" (38mm) min. Expansion Space
3. AcerChannel Plywood Subfloor Panel
4. 3/4" (19mm) TriPower Resilient Pad
5. 25/32" (20mm) MFMA Maple Flooring
6. Vapor Retarder
7. Anchored Steel Channel

THRESHOLD



1. 1/4" (6mm) Aluminum Threshold
2. 1-1/2" (38mm) min. Expansion Space
3. Solid Blocking at Doorway
4. 3/4" (19mm) TriPower Resilient Pad
5. 25/32" (20mm) MFMA Maple
6. AcerChannel Plywood Subfloor Panel
7. Anchored Steel Channel

EQUIPMENT



1. Floor Plate
2. 1-1/2" (38mm) Expansion Space at all Inserts and Electrical Penetrations
3. Concrete Floor Penetration
4. Solid Blocking at Insert