

Description: AACERCUSH I +

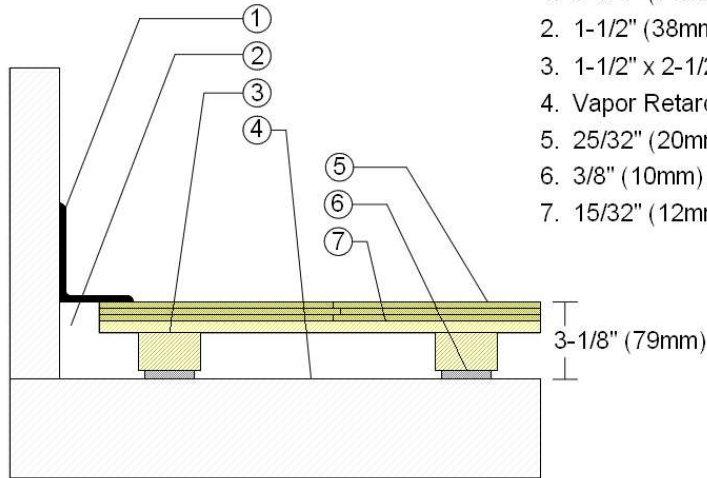
Resilience: 3/8" (10mm) AcerCushion pads

Drawn By: RR | Date: 9/25/20

Revisions

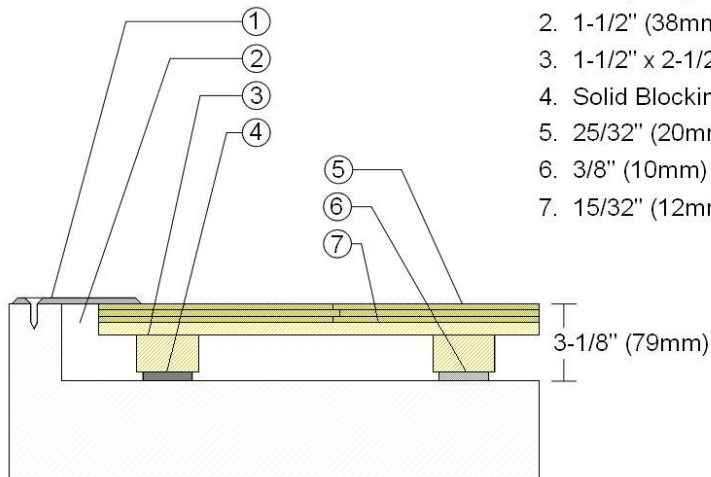
ID	Description	By	Date

### WALLBASE



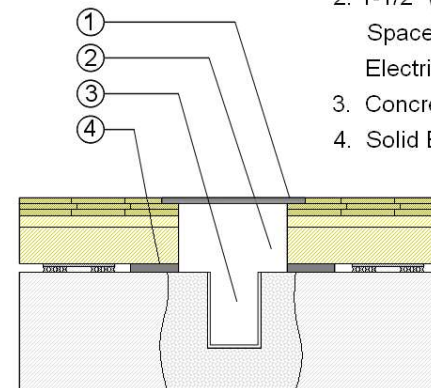
1. 3" x 4" (76mm x 101mm) Vent Cove Base
2. 1-1/2" (38mm) min. Expansion Space
3. 1-1/2" x 2-1/2" (38mm x 64mm) Sleeper
4. Vapor Retarder
5. 25/32" (20mm) MFMA Maple Flooring
6. 3/8" (10mm) AcerCush Pad
7. 15/32" (12mm) Plywood Subfloor

### THRESHOLD



1. 1/4" (6mm) Aluminum Threshold
2. 1-1/2" (38mm) min. Expansion Space
3. 1-1/2" x 2-1/2" (38mm x 64mm) Sleeper
4. Solid Blocking at Doorway
5. 25/32" (20mm) MFMA Maple Flooring
6. 3/8" (10mm) AcerCush Pad
7. 15/32" (12mm) Plywood Subfloor

### EQUIPMENT



1. Floor Plate
2. 1-1/2" (38mm) Expansion Space at all Inserts and Electrical Penetrations
3. Concrete Floor Penetration
4. Solid Blocking at Insert