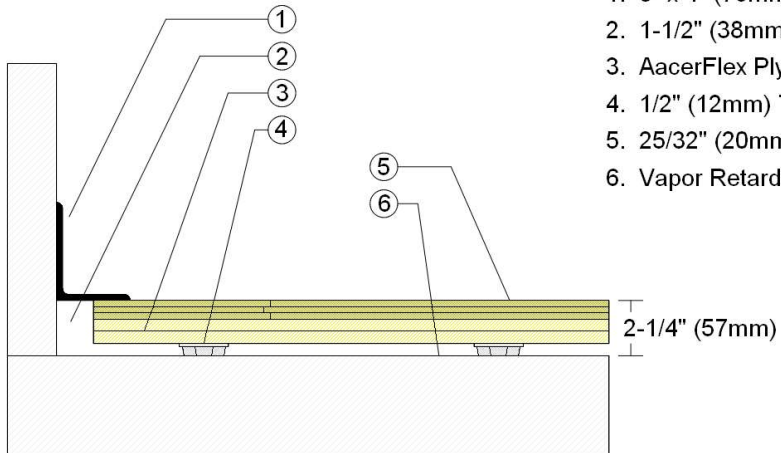
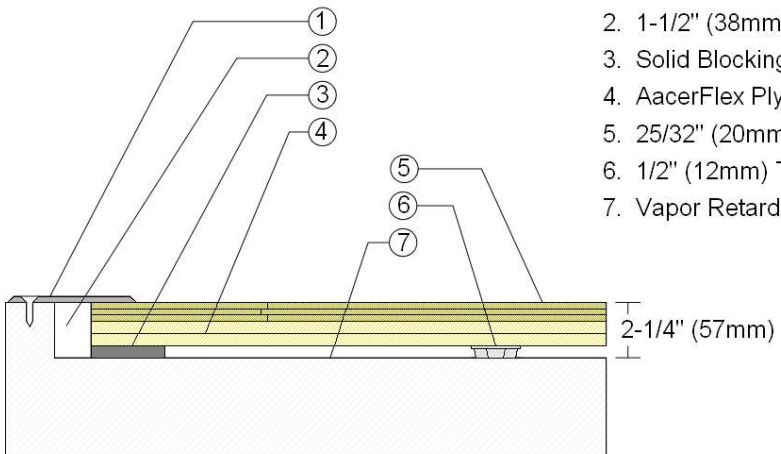


WALLBASE



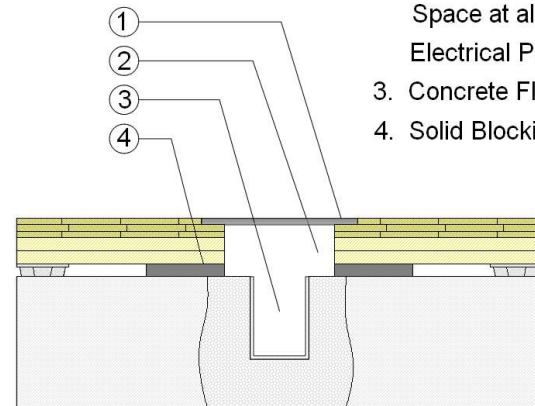
1. 3" x 4" (76mm x 101mm) Vent Cove Base
2. 1-1/2" (38mm) min. Expansion Space
3. AcerFlex Plywood Subfloor Panels
4. 1/2" (12mm) TriPower Pad
5. 25/32" (20mm) MFMA Maple Flooring
6. Vapor Retarder

THRESHOLD



1. 1/4" (6mm) Aluminum Threshold
2. 1-1/2" (38mm) min. Expansion Space
3. Solid Blocking at Doorway
4. AcerFlex Plywood Subfloor Panels
5. 25/32" (20mm) MFMA Maple
6. 1/2" (12mm) TriPower Pad
7. Vapor Retarder

EQUIPMENT



1. Floor Plate
2. 1-1/2" (38mm) Expansion Space at all Inserts and Electrical Penetrations
3. Concrete Floor Penetration
4. Solid Blocking at Insert

Description: AACERFLEX

Resilience: 1/2" (12mm) TriPower pads

Drawn By: RR

Date: 4/30/20

Revisions

ID	Description	By	Date

Description: AACERFLEX

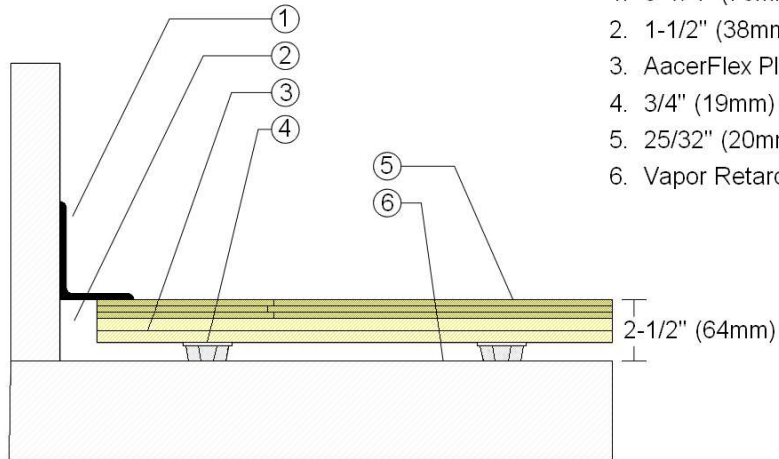
Resilience: 3/4" (19mm) TriPower pads

Drawn By: RR | Date: 4/30/20

Revisions

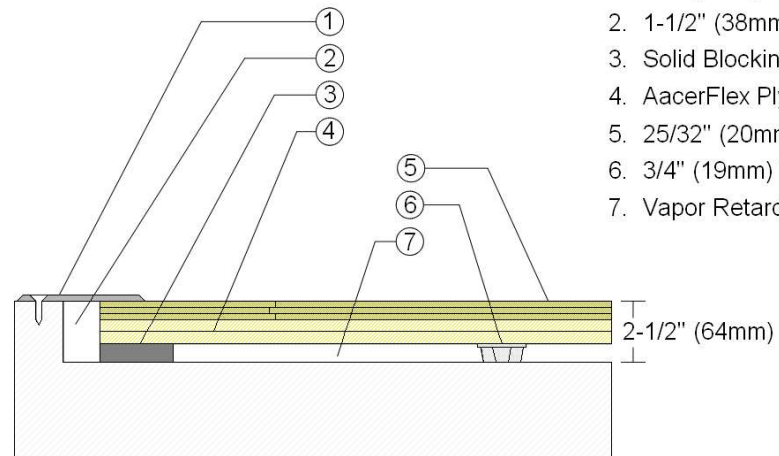
ID	Description	By	Date

WALLBASE



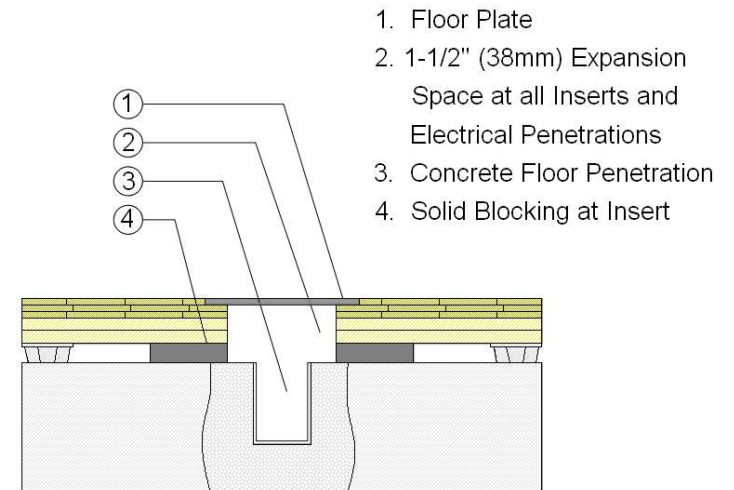
1. 3" x 4" (76mm x 101mm) Vent Cove Base
2. 1-1/2" (38mm) min. Expansion Space
3. AcerFlex Plywood Subfloor Panels
4. 3/4" (19mm) TriPower Pad
5. 25/32" (20mm) MFMA Maple Flooring
6. Vapor Retarder

THRESHOLD



1. 1/4" (6mm) Aluminum Threshold
2. 1-1/2" (38mm) min. Expansion Space
3. Solid Blocking at Doorway
4. AcerFlex Plywood Subfloor Panels
5. 25/32" (20mm) MFMA Maple
6. 3/4" (19mm) TriPower Pad
7. Vapor Retarder

EQUIPMENT



1. Floor Plate
2. 1-1/2" (38mm) Expansion Space at all Inserts and Electrical Penetrations
3. Concrete Floor Penetration
4. Solid Blocking at Insert