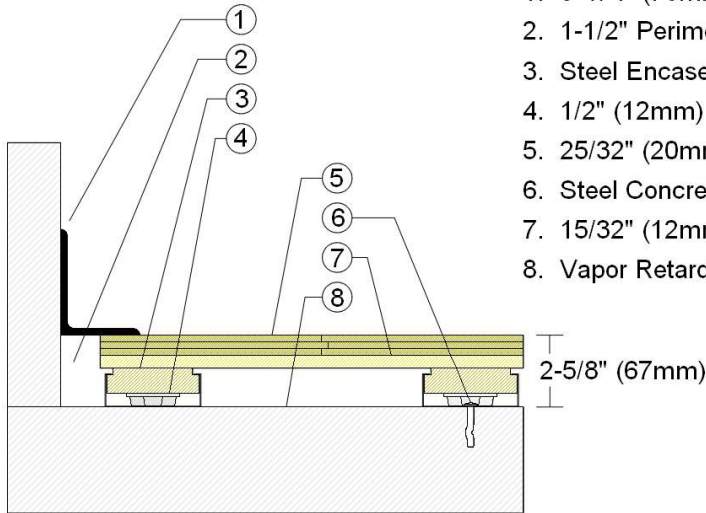
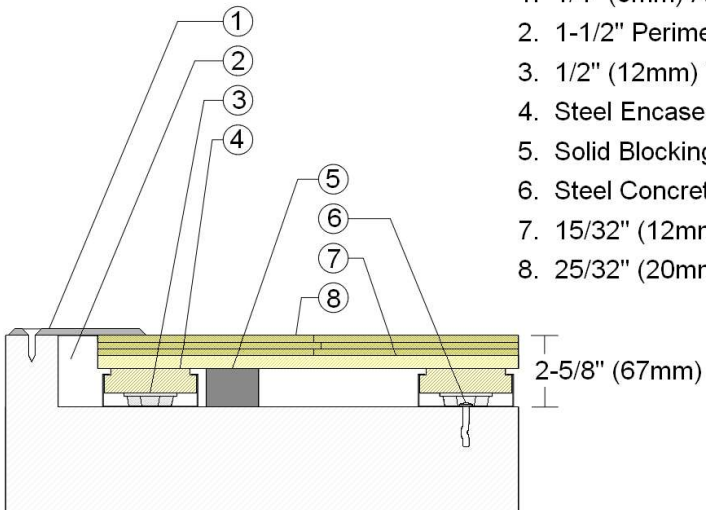


WALLBASE



1. 3" x 4" (76mm x 101mm) Vent Cove Base
2. 1-1/2" Perimeter Expansion Space
3. Steel Encased Plywood Sleeper
4. 1/2" (12mm) TriPower Resilient Pad
5. 25/32" (20mm) MFMA Maple Flooring
6. Steel Concrete Anchor
7. 15/32" (12mm) Plywood Subfloor
8. Vapor Retarder

THRESHOLD



1. 1/4" (6mm) Aluminum Threshold
2. 1-1/2" Perimeter Expansion Space
3. 1/2" (12mm) TriPower Resilient Pad
4. Steel Encased Plywood Sleeper
5. Solid Blocking Near Doorway
6. Steel Concrete Anchor
7. 15/32" (12mm) Plywood Subfloor
8. 25/32" (20mm) MFMA Maple Flooring

Description: ANCHORED POWERSLEEPER SE

Resilience: 1/2" (12mm) TriPower pads

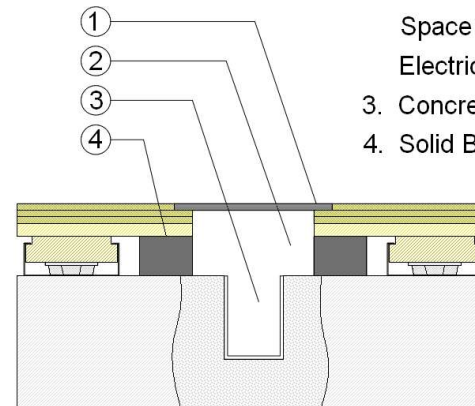
Drawn By: RR

Date: 9/10/20

Revisions

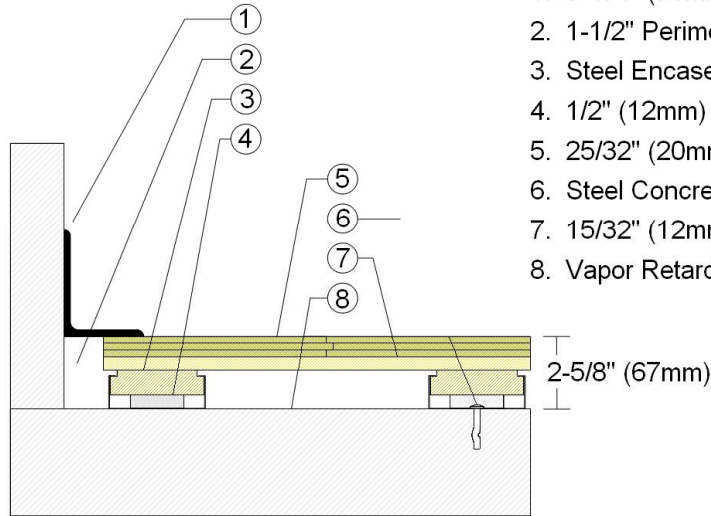
ID	Description	By	Date

EQUIPMENT



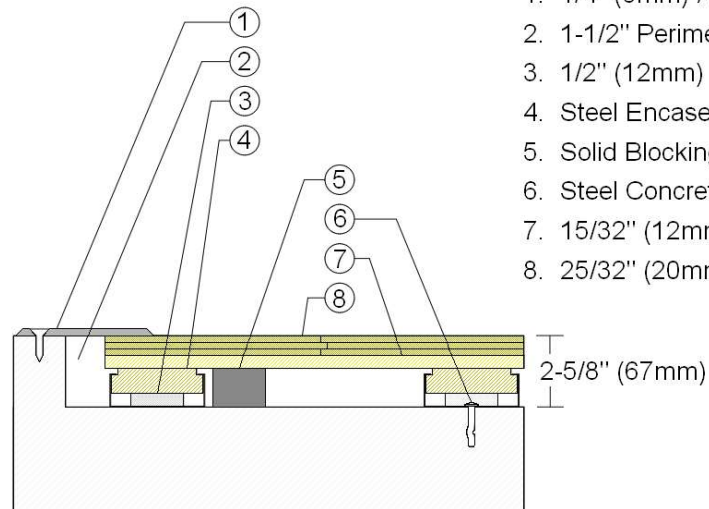
1. Floor Plate
2. 1-1/2" (38mm) min. Expansion Space at All Inserts and Electrical Penetrations
3. Concrete Floor Penetration
4. Solid Blocking at Insert

WALLBASE



1. 3" x 4" (76mm x 101mm) Vent Cove Base
2. 1-1/2" Perimeter Expansion Space
3. Steel Encased Plywood Sleeper
4. 1/2" (12mm) ECO Resilient Pad
5. 25/32" (20mm) MFMA Maple Flooring
6. Steel Concrete Anchor
7. 15/32" (12mm) Plywood Subfloor
8. Vapor Retarder

THRESHOLD



1. 1/4" (6mm) Aluminum Threshold
2. 1-1/2" Perimeter Expansion Space
3. 1/2" (12mm) Eco Resilient Pad
4. Steel Encased Plywood Sleeper
5. Solid Blocking Near Doorway
6. Steel Concrete Anchor
7. 15/32" (12mm) Plywood Subfloor
8. 25/32" (20mm) MFMA Maple Flooring

Description: ANCHORED POWERSLEEPER SE

Resilience: 1/2" (12mm) ECO pads

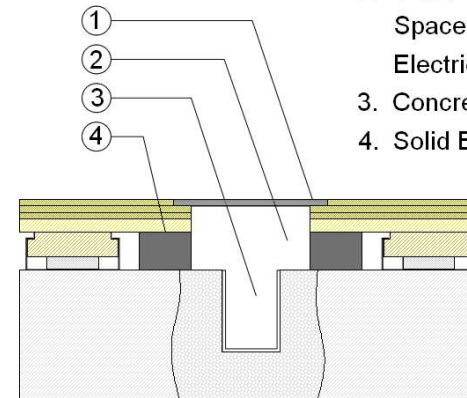
Drawn By: RR

Date: 9/10/20

Revisions

ID	Description	By	Date

EQUIPMENT



1. Floor Plate
2. 1-1/2" (38mm) min. Expansion Space at All Inserts and Electrical Penetrations
3. Concrete Floor Penetration
4. Solid Blocking at Insert