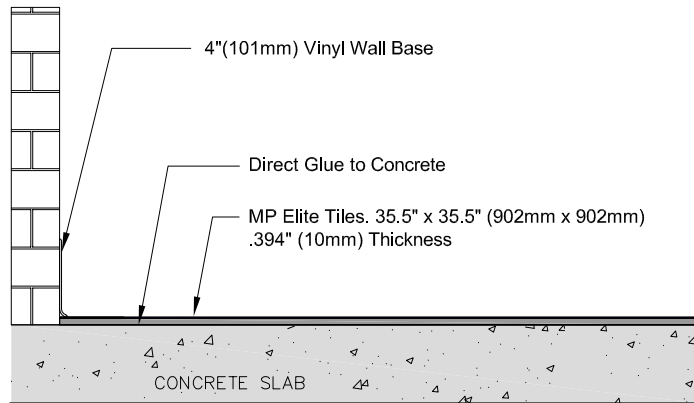
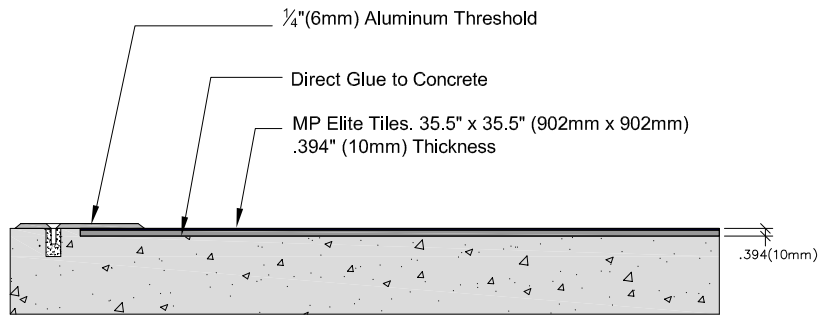
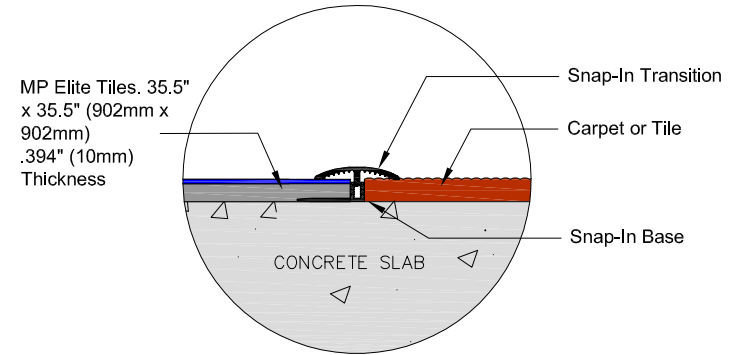


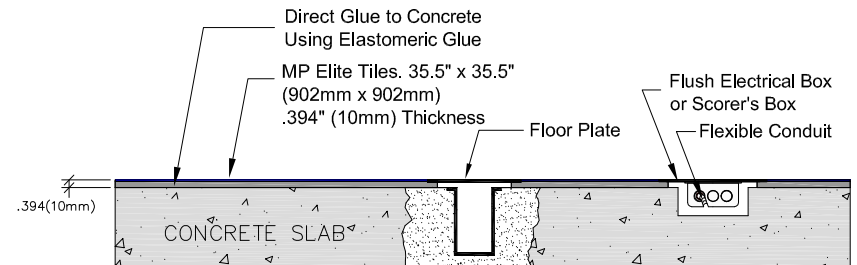
# MP Elite



Wall Base



Threshold



## REVISIONS

I.D.	DESCRIPTION	WHEN	WHO
—			

Aacer Flooring LLC  
970 Ogden Rd  
Peshigo, WI 54157

Phone: 715-582-1181  
Fax: 715-582-1182



DESCRIPTION: MP Elite

PART NUMBER:

DATE: 3-1-2010

FILE: MPElite

SCALE: n/a

DRAWN BY: S Daniel  
CHECKED BY:

SHEET: 1