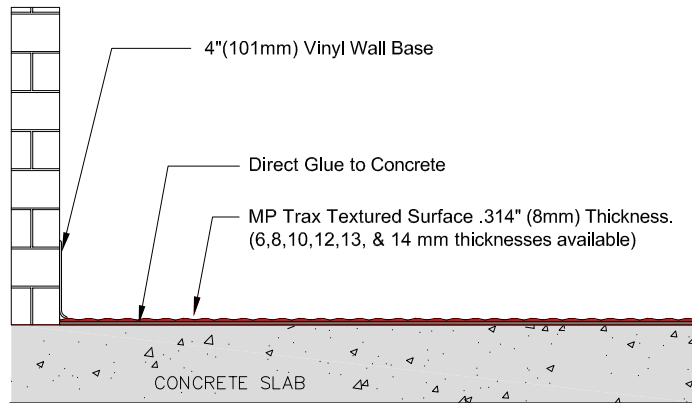
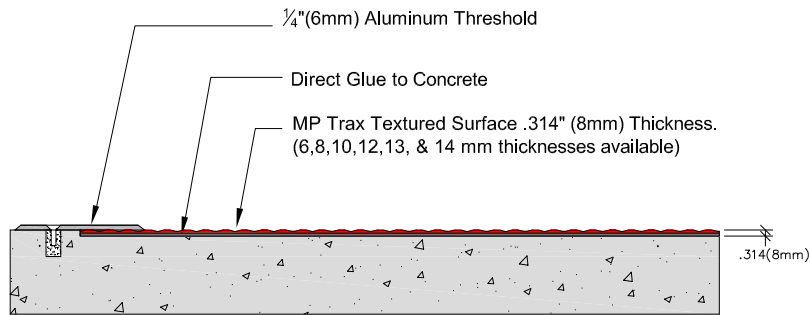
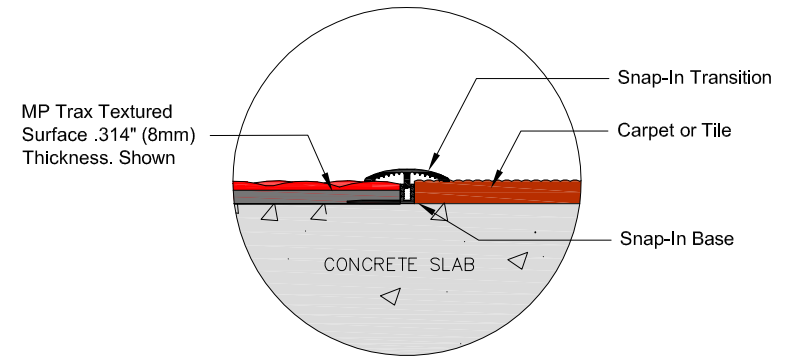


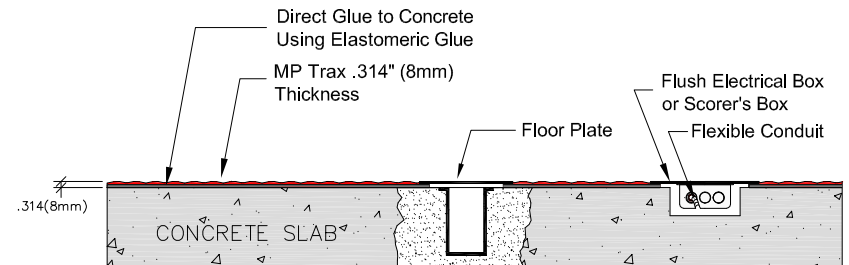
MP Trax



Wall Base



Threshold



REVISIONS

| I.D. | DESCRIPTION | WHEN | WHO |
|------|-------------|------|-----|
| — | | | |
| | | | |
| | | | |
| | | | |
| | | | |

Aacer Flooring LLC
970 Ogden Rd
Peshigo, WI 54157

Phone: 715-582-1181
Fax: 715-582-1182



AACER
SPORTS FLOORING

DESCRIPTION: MP Trax

PART NUMBER:

DATE: 3-1-2010

FILE: MP_Trax_DirectConc

SCALE: n/a

DRAWN BY: S Daniel
CHECKED BY:

SHEET: 1