

Description: POWERPLAY EDGE

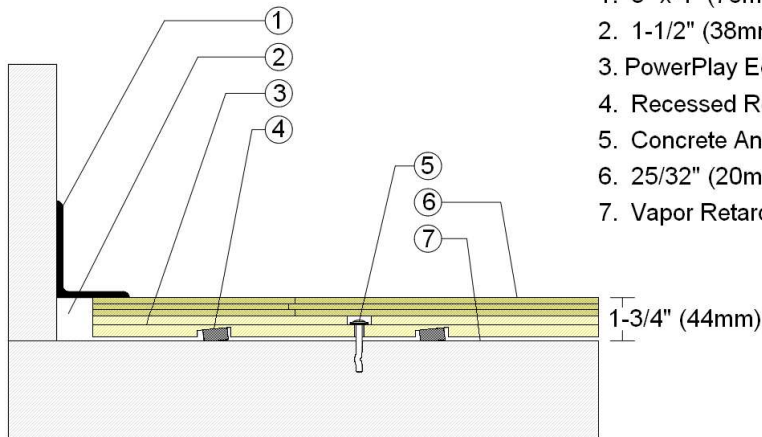
Resilience: 1/2" (12mm) ECO pads

Drawn By: RR | Date: 4/29/20

Revisions

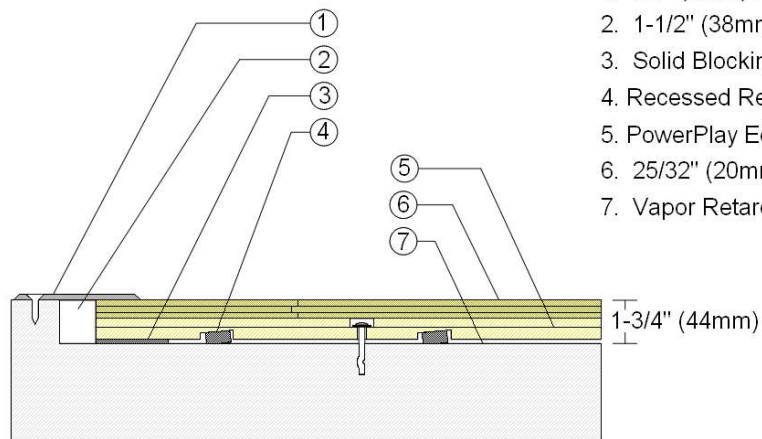
ID	Description	By	Date

WALLBASE



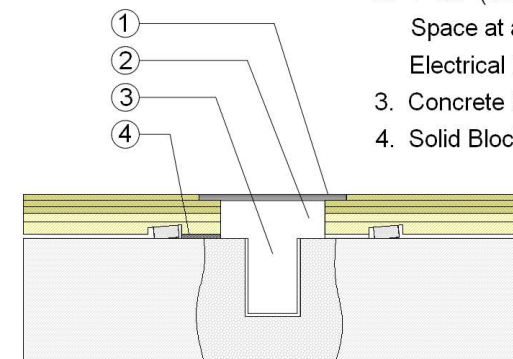
1. 3" x 4" (76mm x 101mm) Vent Cove Base
2. 1-1/2" (38mm) min. Expansion Space
3. PowerPlay Edge Subfloor Panel
4. Recessed Resilient ECO Pad
5. Concrete Anchor Pin Assembly
6. 25/32" (20mm) MFMA Maple Flooring
7. Vapor Retarder

THRESHOLD



1. 1/4" (6mm) Aluminum Threshold
2. 1-1/2" (38mm) min. Expansion Space
3. Solid Blocking at Doorway
4. Recessed Resilient ECO Pad
5. PowerPlay Edge Subfloor Panel
6. 25/32" (20mm) MFMA Maple Flooring
7. Vapor Retarder

EQUIPMENT



1. Floor Plate
2. 1-1/2" (38mm) Expansion Space at all Inserts and Electrical Penetrations
3. Concrete Floor Penetration
4. Solid Blocking at Insert