

# Programme II Stage

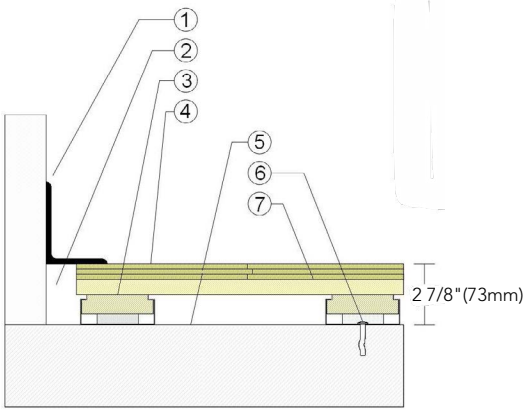
## FIXED RESILIENT SYSTEMS

Programme II Stage offers stabilizing components of steel encased sleepers supported by VERT resilient pads manufactured from a dilatant formula known for excellent resiliency and vibration damping. Along with shock absorbing characteristics, a monolithic subfloor layer allows numerous floor surface options and loading capabilities associated with stage performances.



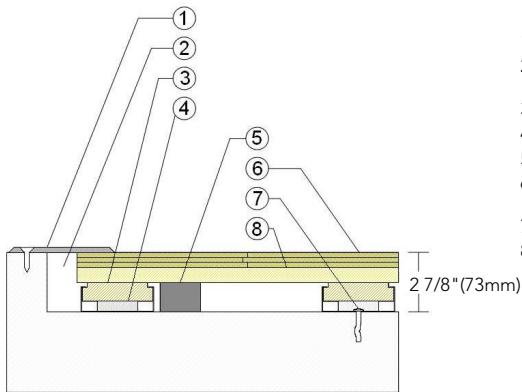
# Programme II Stage

## WALLBASE Maple Floor Surface



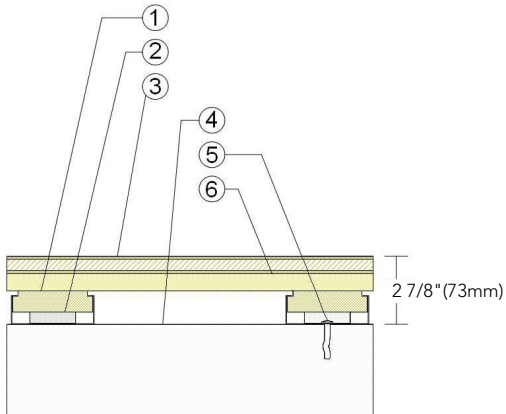
1. 3" x 4" (76mm x 101mm) Vent Cove Base
2. 1-1/2" (38mm) Perimeter Expansion Space
3. Steel Encased Plywood Sleeper with 1/2" (12mm) VERT™ Resilient Pad
4. 25/32" (20mm) MFMA Maple Flooring
5. Vapor Retarder
6. Steel Concrete Anchor
7. 23/32" (19mm) Plywood Subfloor

## THRESHOLD Maple Floor Surface



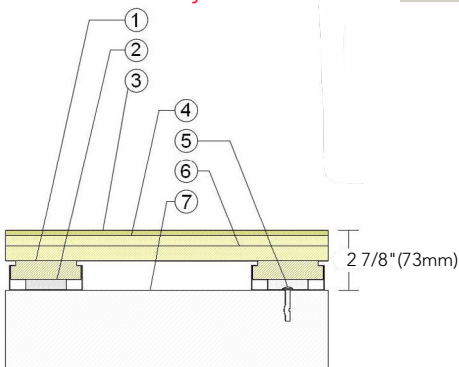
1. 1/4" (6mm) Aluminum Threshold
2. 1-1/2" (38mm) Perimeter Expansion Space
3. Steel Encased Plywood Sleeper
4. 1/2" (12mm) VERT™ Resilient Pad
5. Solid Blocking at Doorway
6. 25/32" (20mm) MFMA Maple Flooring
7. Steel Concrete Anchor
8. 23/32" (19mm) Plywood Subfloor

## HARDBOARD Panel Floor Surface



1. Steel Encased Plywood Sleeper
2. 1/2" (12mm) VERT™ Resilient Pads
3. Hardboard Faced Laminate Panel
4. Vapor Retarder
5. Steel Concrete Anchor
6. 23/32" (19mm) Plywood Subfloor

## HARDBOARD Layer Floor Surface



1. Steel Encased Plywood Sleeper
2. 1/2" (12mm) VERT™ Resilient Pads
3. 1/4" (6mm) Hardboard Surface Layer
4. 15/32" (12mm) Added Plywood Layer
5. Steel Concrete Anchor
6. 23/32" (19mm) Plywood Subfloor
7. Vapor Retarder

Anchorage

Green Status and LEED Contributors

Resilience

Slab Depression

Optional Programme Systems

Optional Protection System

Subfloor Construction

System Type

Testing Laboratory Partners

Patent

Drill and Pin



- FSC® Certified Maple - MR
- FSC® Certified Subfloor Components - MR
- Environmental Quality - EQ
- Regional Materials - MR

1/2" (12mm) VERT™ Pad



- 25/32" (20mm) Flooring - 2-7/8" (73mm)

Programme I Stage  
Programme III Stage

PowerVent™ Advanced Airflow System

Sleeper Plywood

Fixed Resilient



#10,174,509

*It is the policy of Aacer Flooring to continuously improve its line of products. Therefore, Aacer Flooring reserves the right to change, modify or discontinue systems, specifications and accessories of all products at any time without notice or obligation to purchaser.*