

AacerVarsity

FIXED RESILIENT SYSTEM



AACER[™]
SPORTS FLOORING
an Infinity Wood Floors Company

Aacer Varsity pre-assembled sleeper and plywood subfloor panels include factory attached ECO resilient pads offering a hardwood sports floor shown to have met the most stringent athletic floor performance standard for desired shock absorbance, ball rebound and uniformity.

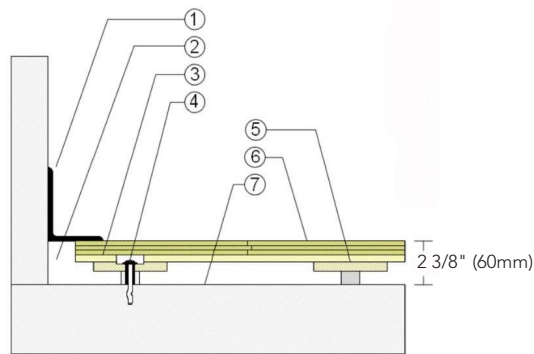


Pre-assembled sleeper and plywood subfloor panels with resilient ECO pads offering high shock absorbance and ball rebound uniformity.



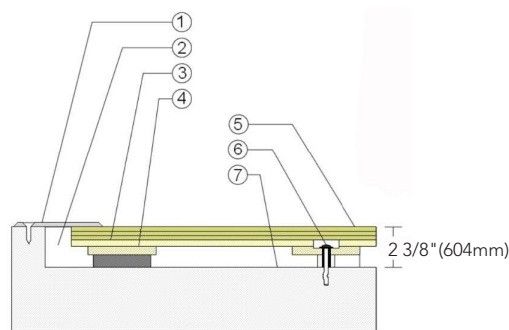
- 1. Precision-milled Acer Maple
- 2. 11/32" (9mm) Plywood Subfloor
- 3. Steel Concrete Anchor & Bushing
- 4. Engineered Plywood Sleeper
- 5. 3/4" (19mm) ECO Resilient Pads

WALLBASE



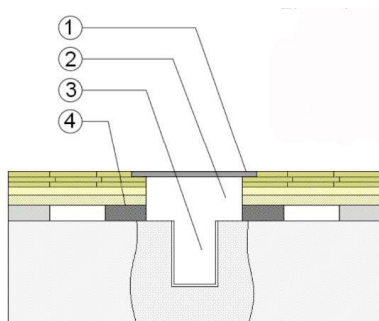
- 1. 3" x 4" (76mm x 101mm) Vent Cove Base
- 2. 1-1/2" (38mm) Min. Expansion Space
- 3. 11/32" (9mm) Plywood Subfloor
- 4. Steel Concrete Anchor and Bushing
- 5. Engineered Plywood Sleeper with 3/4" (19mm) ECO Resilient Pads
- 6. 25/32" (20mm) MFMA Maple Flooring
- 7. Vapor Retarder

THRESHOLD



- 1. 1/4" (6mm) Aluminum Threshold
- 2. 1-1/2" (38mm) Min. Expansion Space
- 3. 11/32" (9mm) Plywood Subfloor
- 4. Engineered Plywood Sleeper with 3/4" (19mm) ECO Resilient Pads
- 5. 25/32" (20mm) MFMA Maple Flooring
- 6. Steel Concrete Anchor and Bushing
- 7. Vapor Retarder

EQUIPMENT



- 1. Floor Plate
- 2. 1-1/2" (38mm) Min. Expansion Space at all Inserts & Electrical Penetrations
- 3. Concrete Floor Penetration
- 4. Solid Blocking at Insert

Certification



Anchorage

Steel Concrete Anchor & Bushing

Green Status and LEED



Contributors

- FSC® Certified Maple - MR
- FSC® Certified Subfloor Components - MR
- Environmental Quality - EQ
- Regional Materials - MR

Resilience

3/4" (19mm) ECO Resilient Pads

Slab Depression

- 25/32" (20mm) flooring - 2 3/8" (60mm)

Optional Fixed Sleeper Systems

Anchored PowerLoc
Anchored PowerSleeper
Anchored PowerSleeper SE

Subfloor Construction

Pre-manufactured Panels

System Type

Fixed Resilient

Testing Laboratory Partners



It is the policy of Infinity Wood Floors to continuously improve its line of products. Therefore, Infinity Wood Floors reserves the right to change, modify or discontinue systems, specifications and accessories of all products at any time without notice or obligation to purchaser.