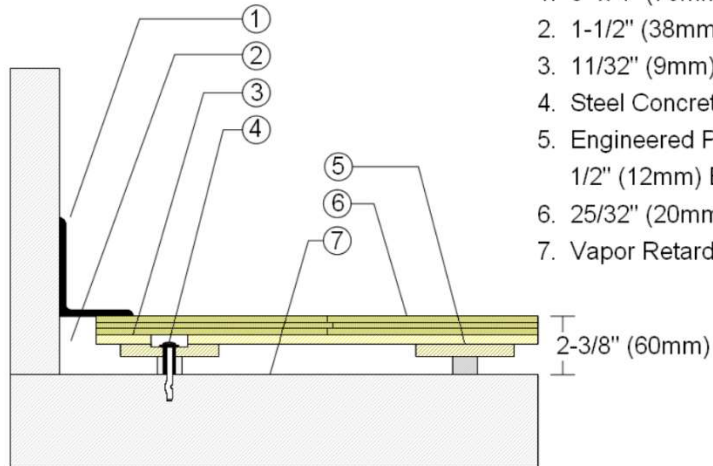


WALLBASE



1. 3" x 4" (76mm x 101mm) Vent Cove Base
2. 1-1/2" (38mm) min. Expansion Space
3. 11/32" (9mm) Plywood Subfloor
4. Steel Concrete Anchor and Bushing
5. Engineered Plywood Sleeper with 1/2" (12mm) ECO Resilient Pads
6. 25/32" (20mm) MFMA Maple Flooring
7. Vapor Retarder

Description: VARSITY

Resilience: 3/4" (19mm) ECO pads

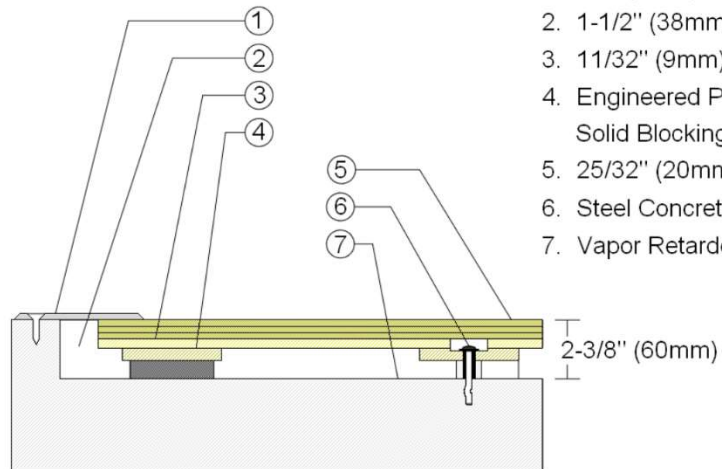
Drawn By: RR

Date: 11/28/23

Revisions

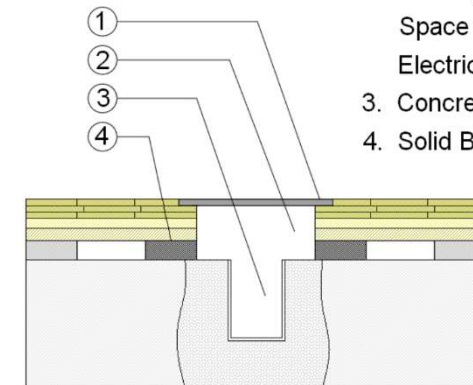
ID	Description	By	Date

THRESHOLD



1. 1/4" (6mm) Aluminum Threshold
2. 1-1/2" (38mm) min. Expansion Space
3. 11/32" (9mm) Plywood Subfloor
4. Engineered Plywood Sleeper with Solid Blocking Attached
5. 25/32" (20mm) MFMA Maple Flooring
6. Steel Concrete Anchor and Bushing
7. Vapor Retarder

EQUIPMENT



1. Floor Plate
2. 1-1/2" (38mm) min. Expansion Space at All Inserts and Electrical Penetrations
3. Concrete Floor Penetration
4. Solid Blocking at Insert