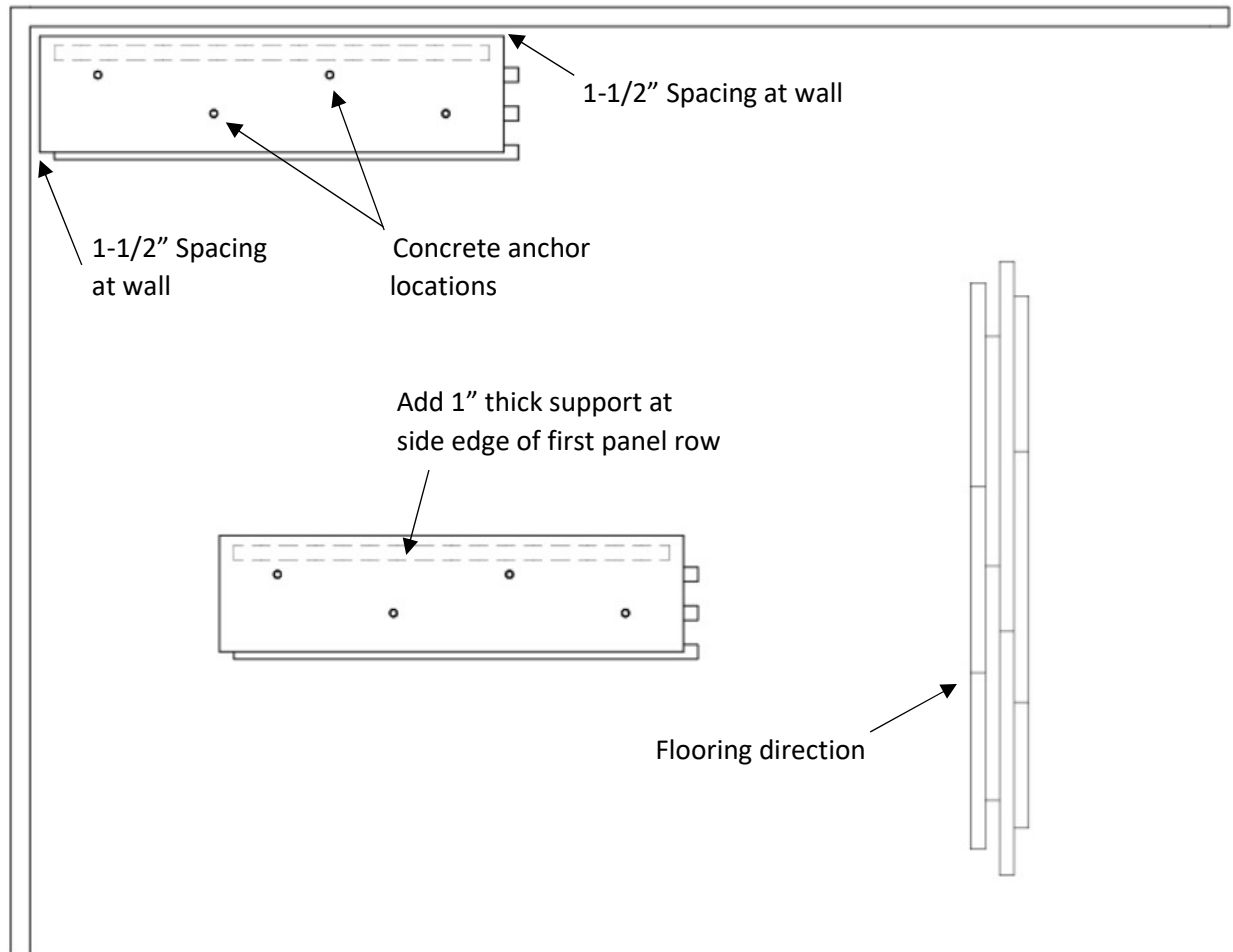


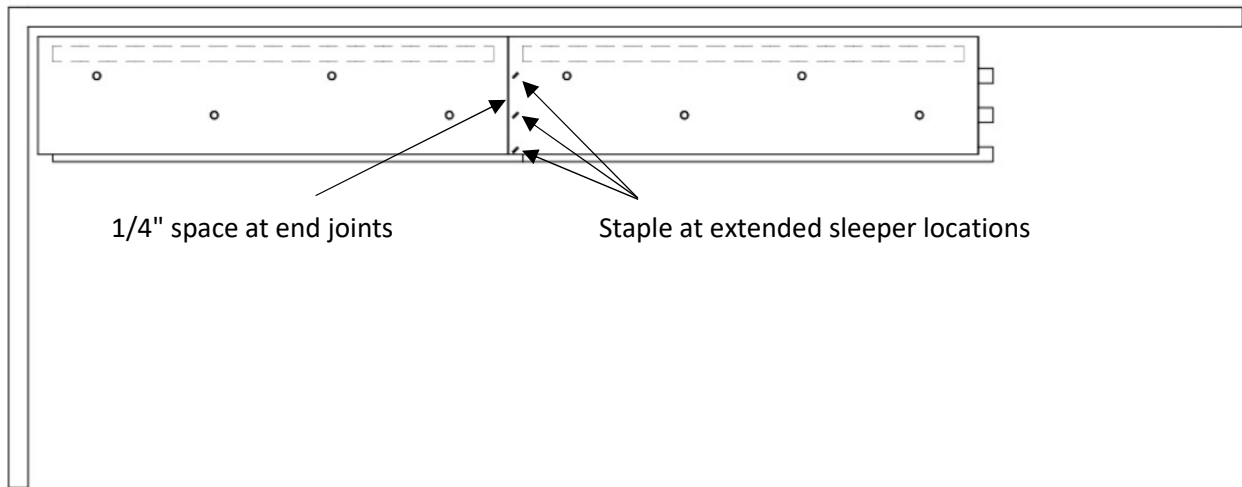
The following installation details are provided as a supplement to Installation Instructions and Specification for the “Aacer Varsity” athletic floor system.

1. Start first Varsity subfloor panel row and all odd numbered rows with full subfloor panel as shown below.
2. Align panel in starting corner by providing 1-1/2” expansion spacing between subfloor panel edges and perimeter walls, and all vertical obstructions.
3. Refer to concrete anchorage pin assembly as described at the end of Page 4. Drill concrete substrate with 1/4” masonry bit at each anchor location and drive anchorage pins only until snug, do not overdrive.

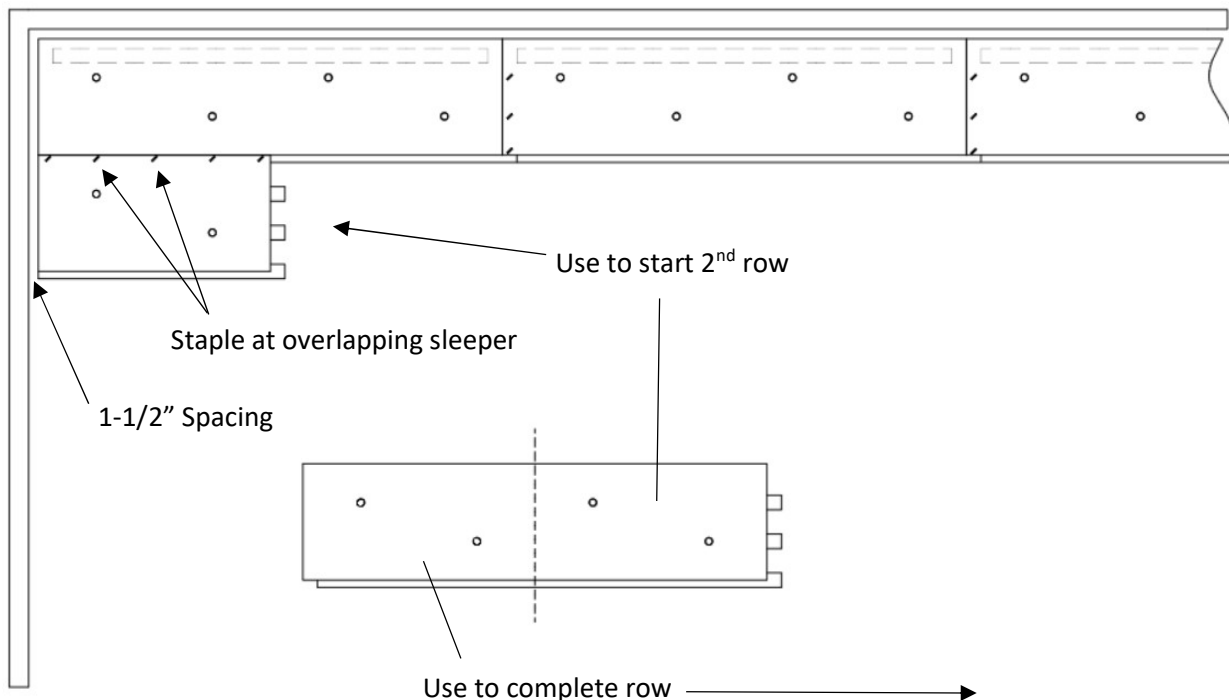


4. NOTE: As shown above, add 1” thick sections below side edge of first panel row to provide support along wall.

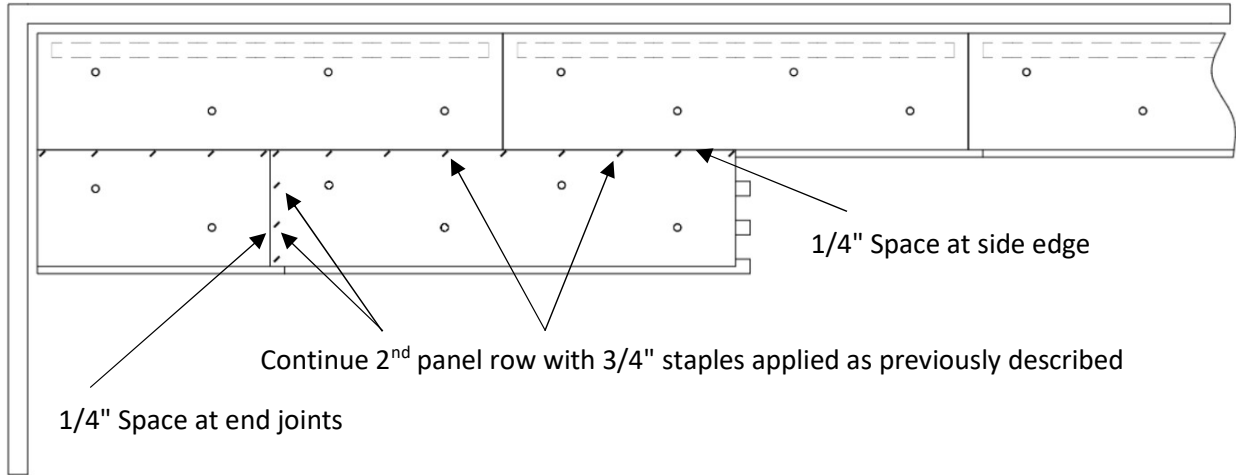
5. Complete first row as shown below by adding full subfloor panels with overlapping subfloor end resting on extending sleepers of previous panel. Soundly secure each overlapping panel with 3/4" staples or equivalent fasteners.
6. Provide 1/4" spacing between ends of adjacent panels and 1-1/2" spacing between subfloor panels and walls, and vertical obstructions.



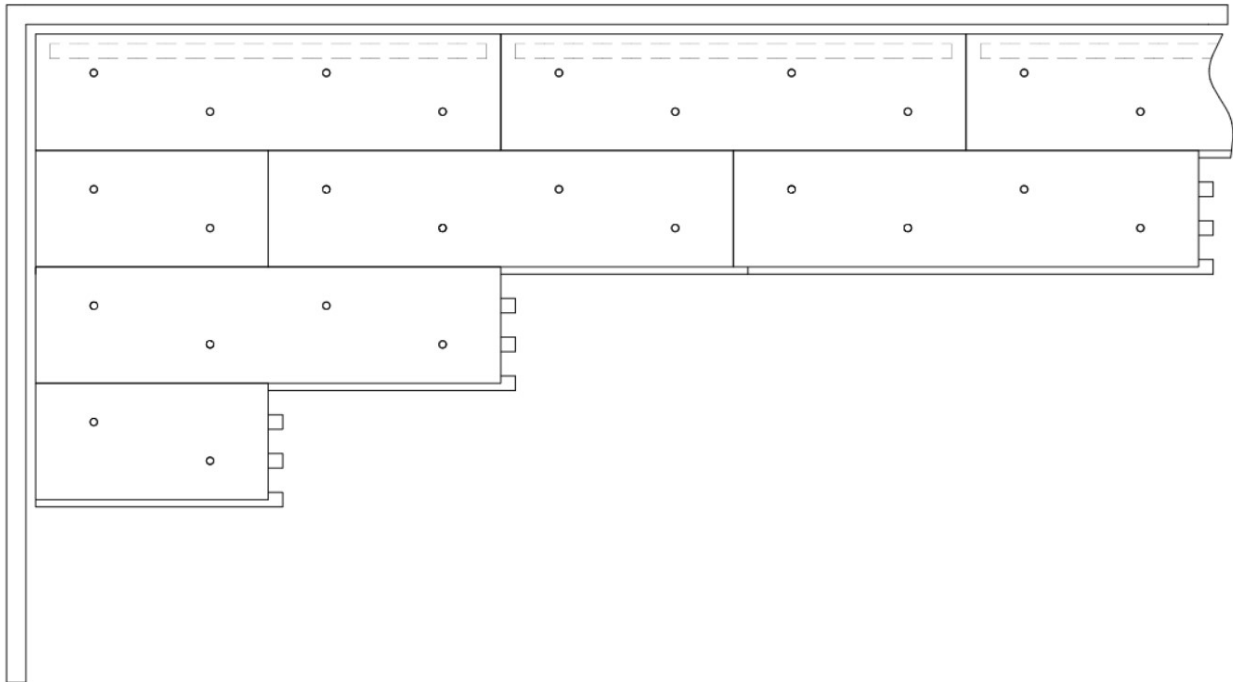
7. Start second panel row and all even numbered rows as shown below by cross cutting full panel 48". Offset side edge 1/4" from adjacent subfloor panel and attach overlapping subfloor to available sleeper with 3/4" subfloor staples applied 12" on center.



8. Continue second panel row with full subfloor panels with panel edges offset 1/4" from adjacent panels, fastening panel side edge and end edge as illustrated below.



9. Continue subfloor pattern as shown below by alternating full and half panels when starting each row, while providing spacing and fasteners as previously described.



- To reduce waste, partial panels from completion of previous rows can be acceptably used to start panel rows provided that panels are minimum 16" in length and provided that panel ends and anchors are offset by a minimum of 12" from panel ends and anchors of adjacent rows.

**CONCRETE ANCHOR PIN ASSEMBLY**

