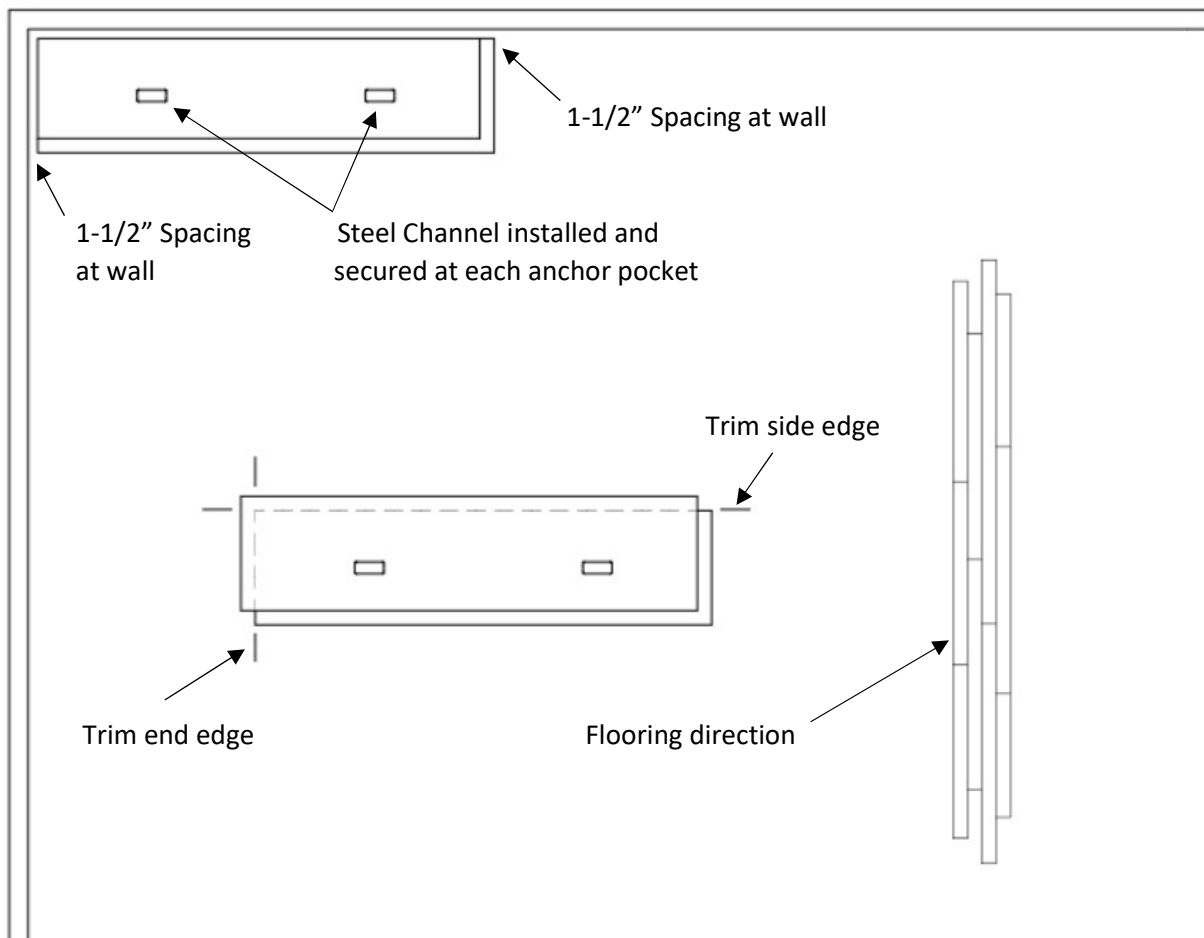
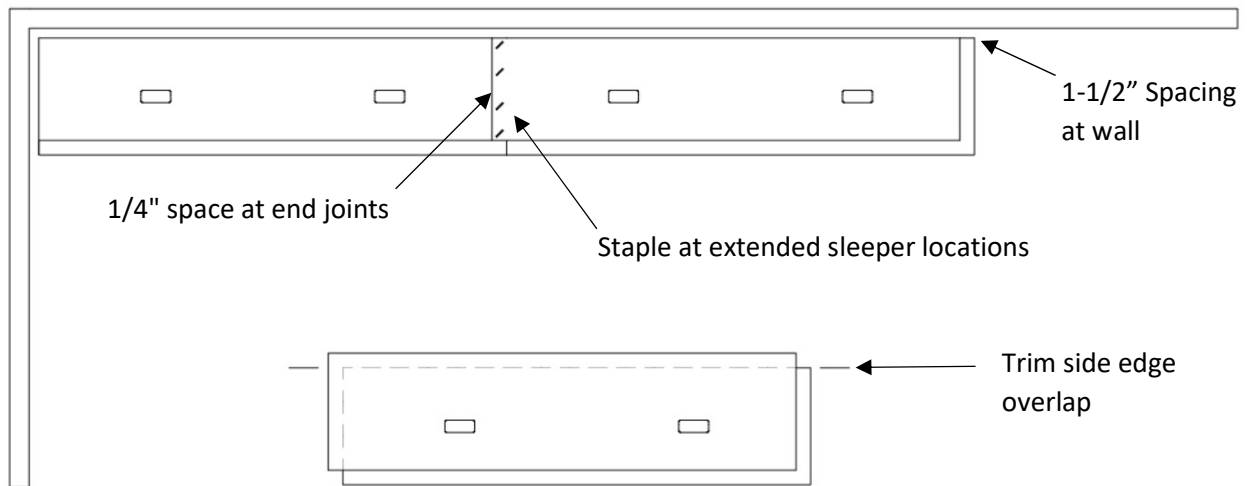


The following installation details are provided as a supplement to Installation Instructions and Specification for the “MultiStage” athletic floor system.

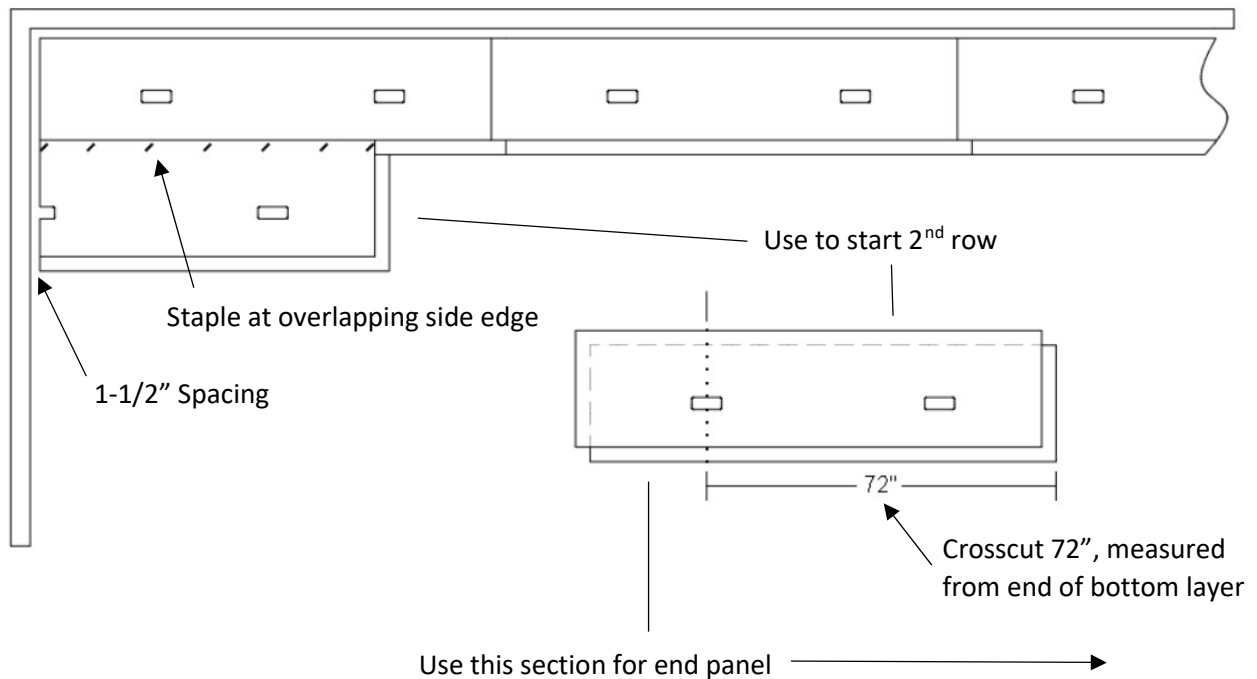
1. Start first MultiStage subfloor panel row with starting panel as shown below.
2. Trim overhanging long edge and end edge of starting panel in first row to remove extending upper plywood sections.
3. Align panel in starting corner by providing 1-1/2” expansion spacing between subfloor panel edges and perimeter walls, and all vertical obstructions.
4. Attach panel to concrete substrate by installing a steel channel section in each anchor pocket and secure with one anchor pin. Provide equal spacing between channel ends and pocket end edges.



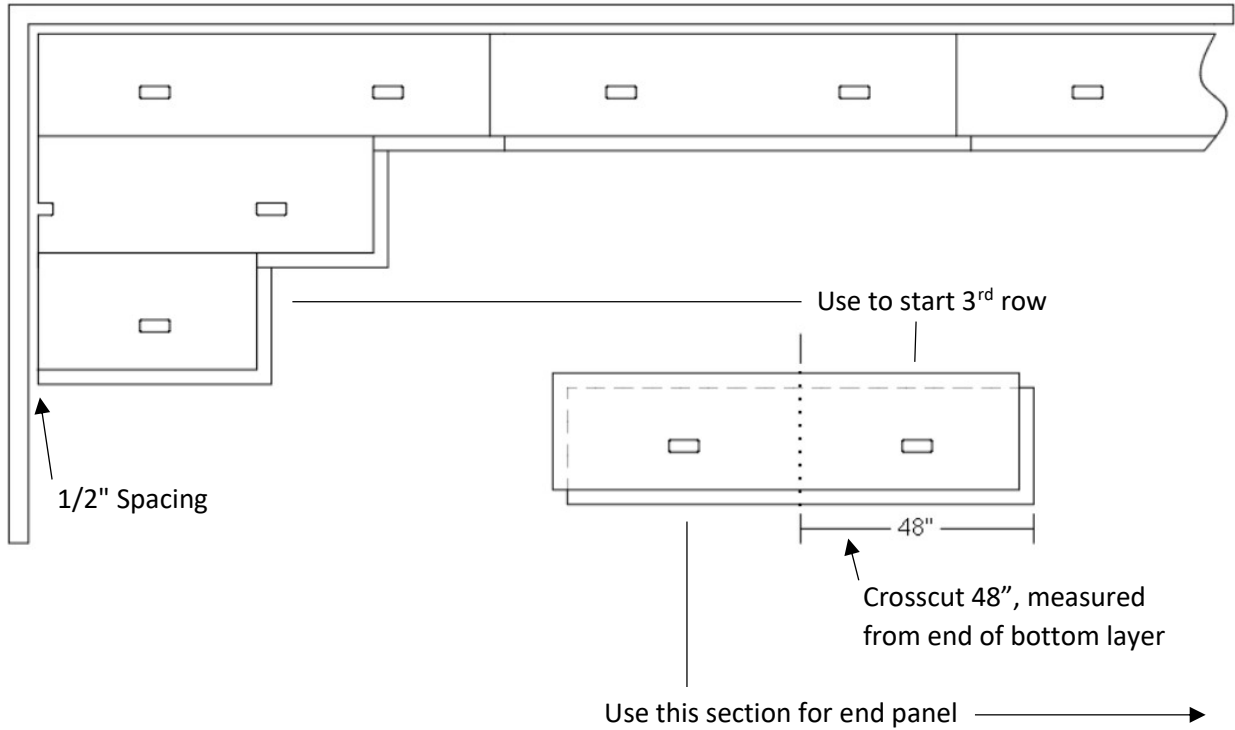
- Complete first row along wall as shown below by adding full subfloor panels after removing overlapping side edge. Soundly secure each overlapping panel with a minimum of four 1" subfloor staples.
- Provide 1/4" spacing between ends of adjacent panels and 1-1/2" spacing between subfloor panels and wall, and vertical obstructions.



- Start second panel row as shown below by cross cutting full panel 72" measured off of bottom subfloor layer. Offset side edge 1/4" from adjacent subfloor panel and attach overlapping side edge to adjacent panel with 1" subfloor staples applied 12" on center including at ends.

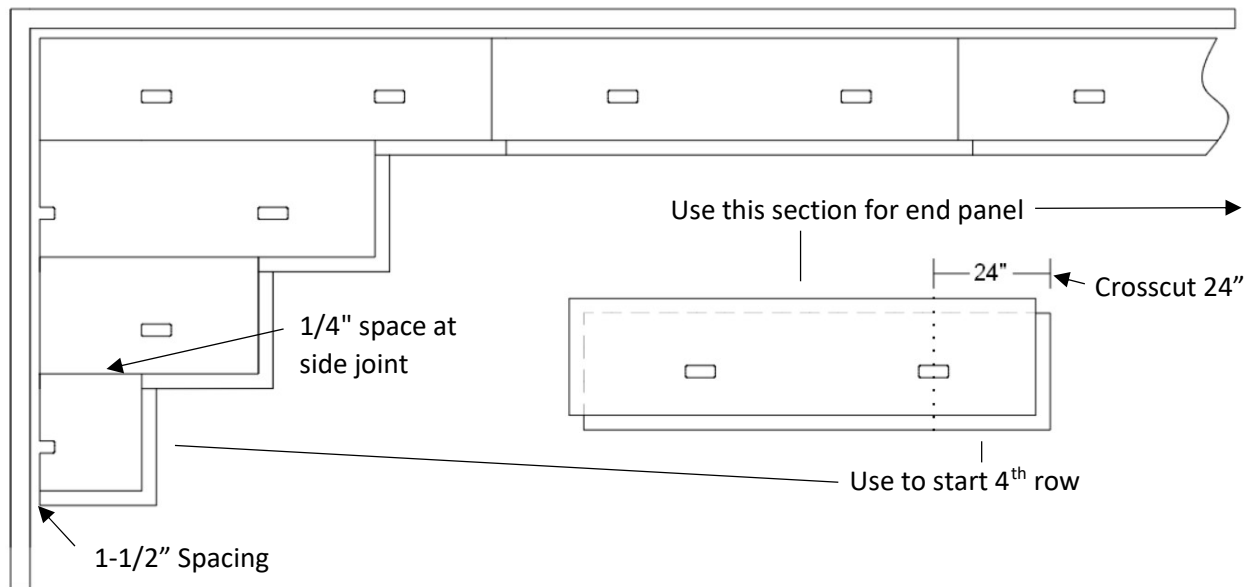


8. Start third panel row as shown below by cross cutting full panel 48" measured off of bottom subfloor layer. Offset side edge 1/4" from adjacent subfloor panel and attach overlapping side edge to adjacent panel with 1" subfloor staples as previously described.

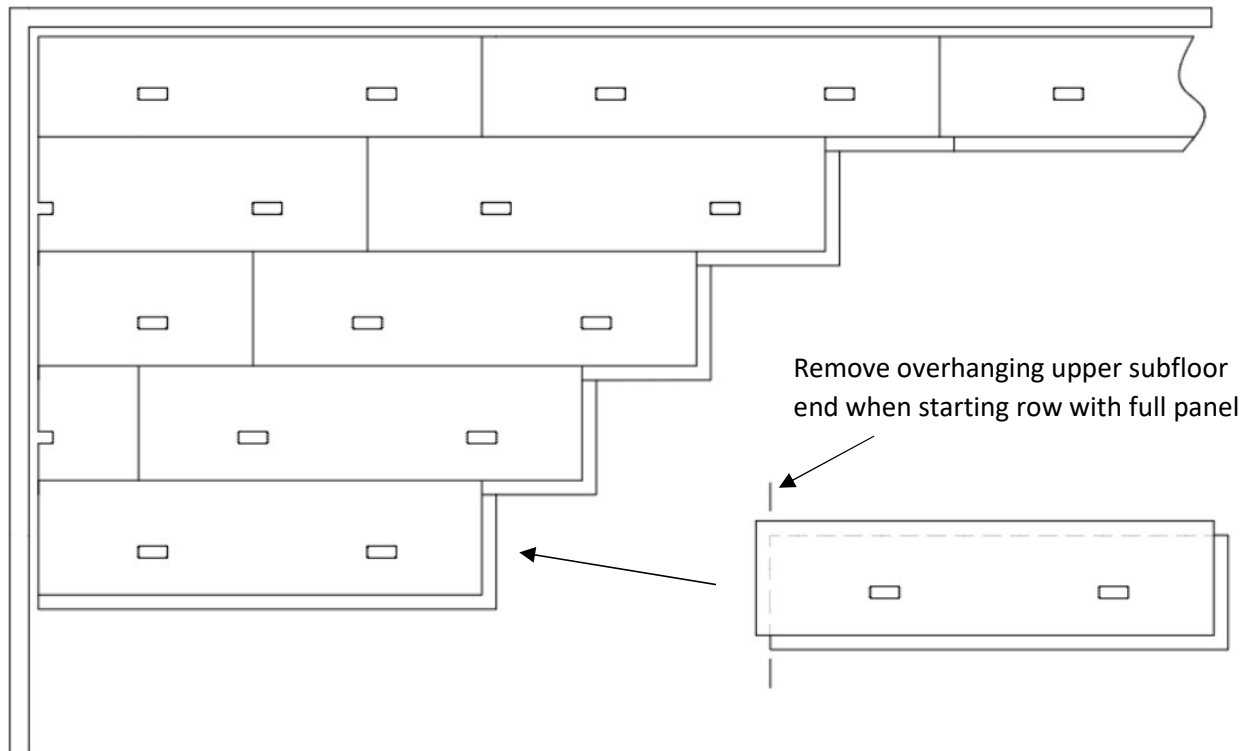


9. Start fourth panel row as shown below by cross cutting full panel 24" measured off of bottom subfloor layer. Offset side edge 1/4" from adjacent subfloor panel and attach overlapping side edge to adjacent panel with 1" subfloor staples as previously described.

10.



11. Continue installation with length adjustments to starting panels as previously illustrated to offset anchor pockets and end joints in alternating rows. Complete each row with full panels, and complete with partial panels to a space of 1-1/2" from end wall.
12. Provide 3/8" thick solid blocking sections below subfloor where required such as at closed bleacher locations, below portable goals, and doorways.



- To reduce waste, partial panels from completion of previous rows can be acceptably used to start panel rows provided that panels are minimum 16" in length and provided that panel ends and anchors are offset by a minimum of 12" from panel ends and anchors of adjacent rows.